



VB-65

2-Way 3-Pieces Full(FB) or Reduced(RB) Bore Trunnion Ball Valve Working Pressure 160 bar (2286 PSI)

TECVAL VB-65 trunnion ball valves are designed to work with liquids under either high pressure or moderate vacuum service. Due to their trunnion solid design, these valves withstand extreme service conditions where the strongest features are required. To be used in numerous applications, they are manufactured in several sizes, connections and alloys.



Features

- Trunnion ball.
- Three pieces to allow a full disassembling.
- Full Bore (FB) or Reduced Bore (RB).
- Smooth operating.
- Easy cleaning and maintenance.
- No ejectable stem design.
- Anti-leak stem with double o-ring seal.
- 100% tested.

Options

- Automation through electrical actuator. **A**
- Automation through pneumatic actuator. **H**
- Prepared for a quick automation (ISO 5211). **T**
- VIC Grooved end connections. **O**
- Handle safety lockout. **W**
- O-ring seals available in several materials.

Technical data

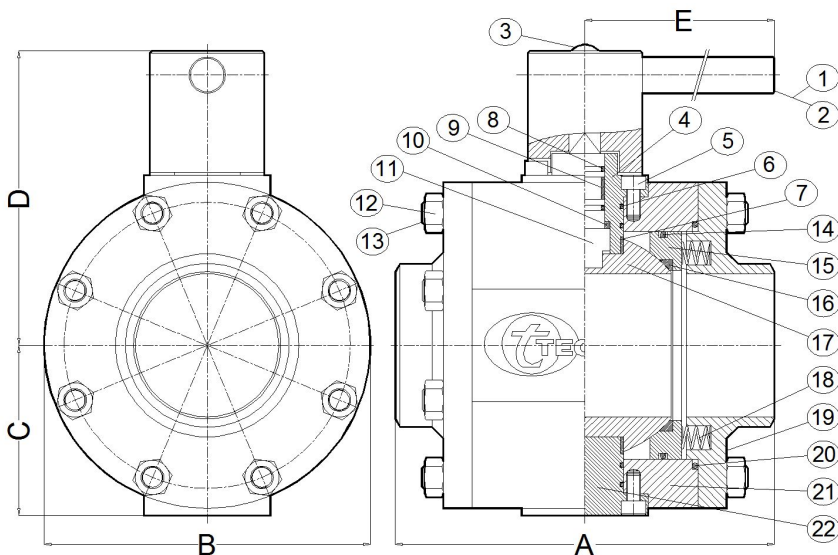
Max. Pressure	160 bar (2286 PSI)				
Temperatures	-20°C/200°C (-4°F/392°F)				
Dimensions	2 1/2"(FB)	3"(RB)	3"(FB)	4"(RB)	4"(FB)
A	210	210	245	245	265
B	165	165	200	200	230
C	90	90	105	105	120
D	160	160	195	195	210
E	600/2	600/2	600/2	600/2	600/2
Orifice Size	65	65	80	80	100
Maximum Cv	700	700	1200	1200	2100

Order codes

BSP	3502	3507	3512	3517	3522
NPT	3503	3508	3513	3518	3523
SW	3500	3505	3510	3515	3520
BW	3501	3506	3511	3516	3521



* Dimensions in mm



Materials

Nº Part	AISI-316L A4	SuperDuplex AS	Special alloys
1 Handle	AISI-316L (1.4404)	AISI-316L (1.4404)	AISI-316L (1.4404)
2 Id. plaque	PVC	PVC	PVC
3 Set screw	AISI-316 (1.4401)	AISI-316 (1.4401)	AISI-316 (1.4401)
4 Trunnion Stem	AISI-316L (1.4404)	Superduplex (1.4410/1.4501)	Special alloy
5 Trunnion Screw	AISI-316L (1.4404)	AISI-316L (1.4404)	AISI-316L (1.4404)
6 Trunnion O-ring	EPDM	EPDM	EPDM
7 Ball Bearing	PEEK	PEEK	PEEK
8 Stem o-ring	EPDM	EPDM	EPDM
9 Bearing washer	PEEK	PEEK	PEEK
10 Stem bearing	Delrin	Delrin	Delrin
11 Stem	AISI-316L (1.4404)	Superduplex (1.4410/1.4501)	Special alloy
12 Nut	AISI-316 (1.4401)	AISI-316 (1.4401)	AISI-316 (1.4401)
13 Screw	AISI-316 (1.4401)	AISI-316 (1.4401)	AISI-316 (1.4401)
14 Seat O-ring	EPDM	EPDM	EPDM
15 Seat carrier	AISI-316L (1.4404)	Superduplex (1.4410/1.4501)	Special alloy
16 Seat	Reinforced PTFE	Reinforced PTFE	Reinforced PTFE
17 Ball	AISI-316L (1.4404)	Superduplex (1.4410/1.4501)	Special alloy
18 Spring	Stainless steel Coated	Stainless Steel Coated	Stainless steel Coated
19 End connection	AISI-316L (1.4404)	Superduplex (1.4410/1.4501)	Special alloy
20 Body o-ring	EPDM	EPDM	EPDM
21 Body	AISI-316L (1.4404)	Superduplex (1.4410/1.4501)	Special alloy
22 Trunnion ball	AISI-316L (1.4404)	Superduplex (1.4410/1.4501)	Special alloy

Special alloys

AISI-316Ti (1.4571) **A6**, AISI-904L (1.4539) **A9**, Duplex (1.4462) **AD**, 254-SMO (1.4547) **AV**, Alloy 400 (2.4360) **MO**, Alloy 625 (2.4856) **IN**, Alloy 825 (2.4858) **CO**, Titanium Gr.2 (3.7034) **TI**, Hastelloy **HA**.

Ordering information

References are formed by three parts:

Valve Code Look for it in the order codes chart on the previous page.

Option/s If required, add the code/s from the options section on the previous page (in alphabetical order).

Material Look for the code on the materials chart.

Example:

Full Bore Trunnion Ball Valve VB-65 3"NPT SuperDuplex: **3513 AS**

The reference required to place the order is **3513AS**.

Actuators

Upon request, ball valves VB-65 can be delivered with pneumatic actuators, either double acting or spring return. The actuators can be worked by standardised or bottled air. Electrical actuators of 24V, 115V and 230V can also be assembled.

Tests

100% tested in accordance to API STANDARD 598. Each valve is tested to check the leakage in the seats and packing. Upon request, the corresponding materials and test certificates can be delivered with the valve.

Maintenance

Our VB-65 valves are designed to be operated in a fully open or fully closed position. Valves with long no-working period may have a harder initial operating torque.

Elastomers & Seats

O-ring seals can be made of different materials: Nitrile **B** or Neopren **N** considering the working conditions and fluid of the valve.



TECVAL S.L.
C/Berlín, 1 Nave 4
Pol.Can Torrella
08233-VACARISSES
Barcelona - SPAIN
Tel: +34 938 280 055
tecval@tecval.es