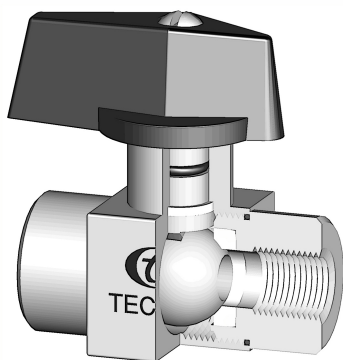




# VB-08

## 2-Way Miniature Ball Valve (FxF) Working Pressure 50 bar (725 PSI)

TECVAL VB-08 valve is designed to work with liquid or gases under high pressure or moderate vacuum service. Their compact design offers a safe shut-off and a high flow capacity. The directional handle provides visual indication of the position of the stem.



### Features

- Light and compact design.
- Smooth operating.
- No maintenance required.
- Not ejectable stem design.
- Anti-leak stem with double o-ring seal.
- 100% tested.

### Options

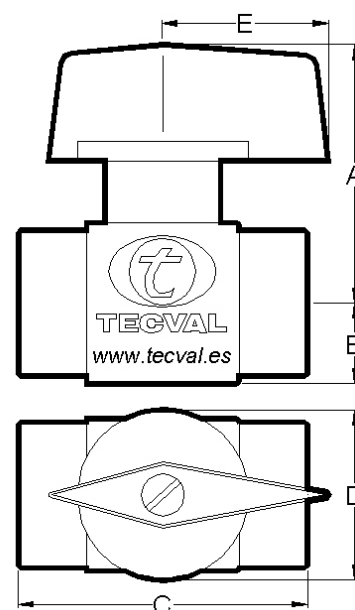
- Two panel nuts for a better fixing. **X**
- NITRILE (NBR) o-ring seals for carbon dioxide, methanol,... **B**
- EPDM o-ring seals for acetylene,... **E**
- NEOPREN o-ring seals for ammonia,... **N**
- Degreased for oxygen service. **D**

### Technical data

Max. Pressure	50 bar (725 PSI)			
Temperatures	-20°C/200°C (-4°F/392°F)			
Dimensions	1/8"	1/4"	3/8"	M18x100
A	44	44	44	44
B	13.5	13.5	13.5	13.5
C	50	50	50	60
D	32	32	32	32
E	30	30	30	30
Orifice Size	8	8	8	5
Maximum Cv	4	4	4	2.9

### Order codes

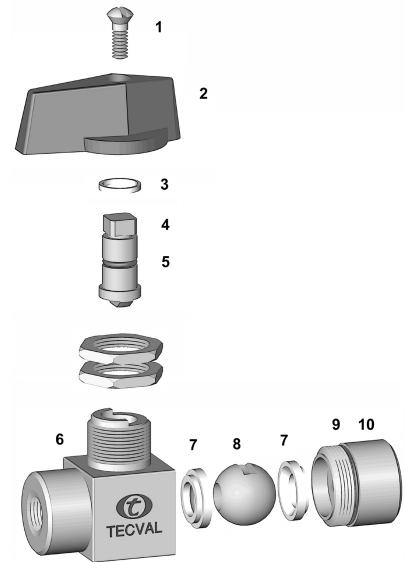
BSP	3600	3602	3604	-
NPT	3601	3603	3605	-
M18x100	-	-	-	3606



\* Dimensions in mm

## Materials

Nº	Part	Brass <b>LA</b>	AISI-316L <b>A4</b>	SuperDuplex <b>AS</b>	Special alloys
1	Set screw	AISI-304 (1.4301)	AISI-304 (1.4301)	AISI-304 (1.4301)	AISI-304 (1.4301)
2	Handle	Black polyamid	Black polyamid	Black polyamid	Black polyamid
3	Stem bearing	Delrin	Delrin	Delrin	Delrin
4	Stem	Brass (2.0401)	AISI-316L (1.4404)	Superduplex (1.4410/1.4501)	Special alloy
5	Stem o-ring	FPM	FPM	FPM	FPM
6	Body	Brass (2.0402)	AISI-316L (1.4404)	Superduplex (1.4410/1.4501)	Special alloy
7	Seat	P.T.F.E.	P.T.F.E.	P.T.F.E.	P.T.F.E.
8	Ball	Brass (2.0401)	AISI-316L (1.4404)	Superduplex (1.4410/1.4501)	Special alloy
9	O-ring	FPM	FPM	FPM	FPM
10	End connection	Brass (2.0401)	AISI-316L (1.4404)	Superduplex (1.4410/1.4501)	Special alloy



## Special alloys

Among the wide range of alloys existing, TECVAL has selected those considered by our customers as most suitable, which we stock to ensure a quick and effective supply. Whether you do not find the required alloy or need further information about our special alloy valves and fittings, please address your inquiry to our Technical Department.

AISI-316Ti (1.4571) **A6**

AISI-904L (1.4539) **A9**

Duplex (1.4462) **AD**

254-SMO (1.4547) **AV**

Alloy 400 (2.4360) **MO**

Alloy 625 (2.4856) **IN**

Alloy 825 (2.4858) **CO**

Titanium Gr.2 (3.7034) **TI**

Hastelloy C-276 (2.4819) **HA**

## Elastomers

O-ring seals (positions 5 and 9) can be made of different materials (NITRILE, EPDM, NEOPREN) upon request, considering the working conditions and fluid of the valve. For further information, please contact our Technical Department.

## Ordering information

References are formed by three parts:

**Valve Code** Look for it in the order codes chart on the previous page.

**Option/s** If required, add the code/s from the options section on the previous page (in alphabetical order).

**Material** Look for the code on the materials chart.

An example of valve with two options:

The Valve VB-08 1/4"NPT AISI-316L with panel nuts and NEOPREN o-ring seals: **3603 NX A4**

The reference required to place the order is **3603NXA4**

## Tests

100% tested in accordance to API STANDARD 598. Each valve is tested with Nitrogen to check the leakage in the seats and packing. Upon request, the corresponding materials and test certificates can be delivered with the valve.

## Maintenance

Our VB-08 ball valves are designed to be operated in a fully open or fully closed position.

Valves with long no-working period may have a harder initial operating torque.

## Packaging

All TECVAL valves are supplied packed in individual polyethylene airtight bags, which include the general features of the valve. End screw connections are protected with polyethylene caps. Everything is 100% recyclable.



TECVAL S.L.  
C/Berlín, 1 Nave 4  
Pol.Can Torrella  
08233-VACARISSES  
Barcelona - SPAIN  
Tel: +34 938 280 055  
tecval@tecval.es