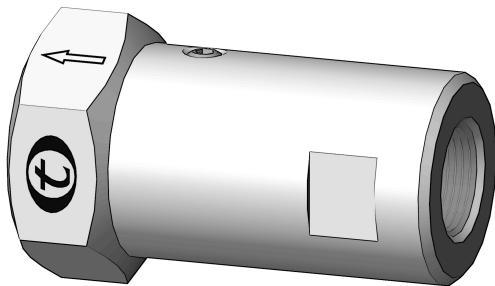




VA-99

Antireturn Valve with Elastomer Radial Sealing (FxF) Up to 210 bar (3000 PSI)

TECVAL manufactures its new VA-99 check valve with elastomer radial sealing. Patented by TECVAL, it is an exclusive and totally innovative use of the seal, which is suitable for gases under high pressure service. Its compact design guarantees a total hold-up, even with high volatile gases.



Features

- Compact design.
- Sealing through o-ring seals.
- No maintenance required.
- Easy mounting in any position.
- 100% tested.

Options

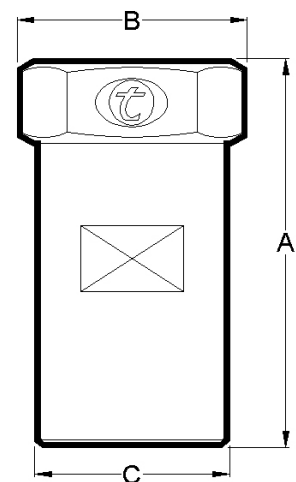
- Degreased for oxygen service. **D**
- NITRILE (NBR) o-ring seals. **B**
- EPDM o-ring seals. **E**
- NEOPREN o-ring seals. **N**

Technical data

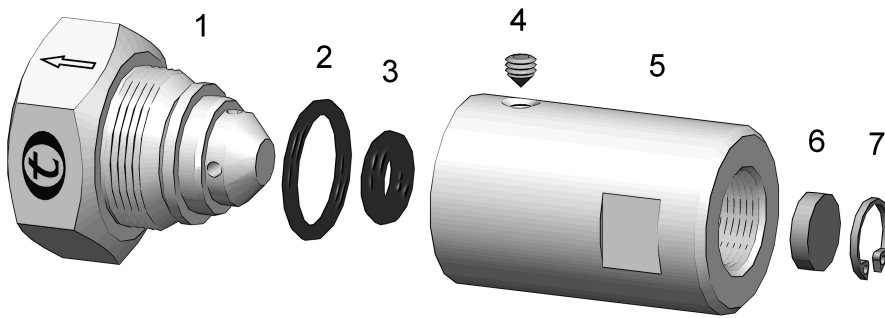
Max. Pressure	Up to 210 bar (3000 PSI)			
Obert. Press	0.5 bar (7 PSI)			
Temperatures	-20°C/200°C (-4°F/392°F)			
Dimensions	1/8"	1/4"	3/8"	1/2"
A	50	50	70	70
B	27	27	36	36
C	24	24	35	35
Orifice Size	4	4	10	10
Maximum Cv	0.5	0.5	1.6	1.6

Order codes

BSP	4600	4602	4604	4606
NPT	4601	4603	4605	4607



* Dimensions in mm



Materials

Nº	Part	Brass LA	AISI-316L A4
1	Outlet body	Brass (2.0401)	AISI-316L (1.4404)
2	O-ring	FPM	FPM
3	O-ring seal	FPM	FPM
4	Set screw	AISI-304 (1.4301)	AISI-304 (1.4301)
5	Inlet body	Brass (2.0402)	AISI-316L (1.4404)
6	Filter	Bronze	AISI-316L (1.4404)
7	Seeger ring	AISI-304 (1.4301)	AISI-304 (1.4301)

Ordering information

References are formed by three parts:

Valve Code

Look for it in the order codes chart on the previous page.

Option/s

-If required, add the code/s from the options section on the previous page (in alphabetical order)

Material

-Look for the code on the materials chart.

An example of valve with one option:

Check valve VA-99 1/4"NPT Brass with NITRILE o-ring seals:

4603 B LA The reference required to place the order is **4603BLA**

Tests

100% tested in accordance to API STANDARD 598. Each valve is tested with Nitrogen to check the leakage in the seats and shell. Upon request, the corresponding materials and test certificates can be delivered with the valve.

Packaging

All TECVAL valves are supplied packed in individual polyethylene airtight bags, which include the general features of the valve. End screw connections are protected with polyethylene caps. Everything is 100% recyclable.

Elastomers

O-ring seals (positions 2 and 3) can be made of different materials (NITRILE, EPDM, NEOPREN) upon request, considering the working conditions and fluid of the valve. For further information, please contact our Technical Department.



TECVAL S.L.
C/Berlín, 1 Nave 4
Pol.Can Torrella
08233-VACARISSES
Barcelona - SPAIN
Tel: +34 938 280 055
tecval@tecval.es