

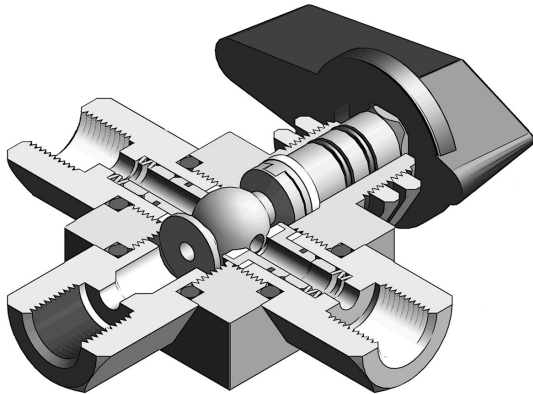


SELECTOR

2 & 3-Way Ball Valve for High Pressures (FxF)

Working Pressures: 100 | 210 bar (1500 | 3000 PSI)

TECVAL two and three-way SELECTOR ball valves are designed to allow a quick opening and close of the flow, and obtain a fast commutation and distribution. Are to be operated in a fully open or fully closed position. The superficial micro-finish of the trunnion-ball ensures a perfect sealing for both liquid and gas under high pressure or moderate vacuum service.



Features

- Standard reinforced PTFE seats 100 bar (1500PSI).
- Light and compact design.
- No ejectable stem design.
- Anti-leak stem with double o-ring seal.
- Two panel nuts for a better fixing.
- 100% tested.

Options

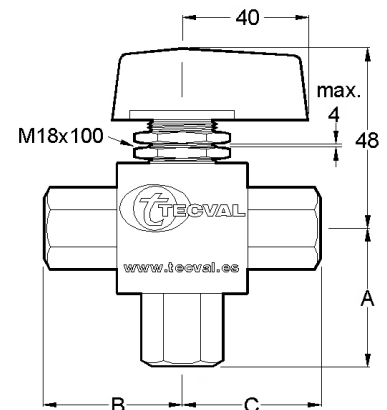
- Kel-F seats for high pressures 210bar (3000PSI). **I**
- Degreased for oxygen service. **D**
- Automation through electrical actuator.
- Automation through pneumatic actuator.
- Prepared for a quick automation. **T**
- Two-way, straight flow. **U**
- Two-way, angle flow. **W**

Technical data

Max. Pressure	Standard PTFE Seats up to 100 bar (1500 PSI) KEL-F Seats up to 210 bar (3000 PSI)			
Temperatures	-20°C/200°C (-4°F/392°F)			
Dimensions	1/8"	1/4"	3/8"	M18x100(MxM)
A (2VA/3V)	38	38	38	50
A (2V)	25	25	25	25
B	38	38	38	50
C (2V/3V)	38	38	38	50
C (2VA)	25	25	25	25
Orifice Size	3.5	3.5	3.5	3.5
Maximum Cv	0.5	0.5	0.5	0.5

Order codes

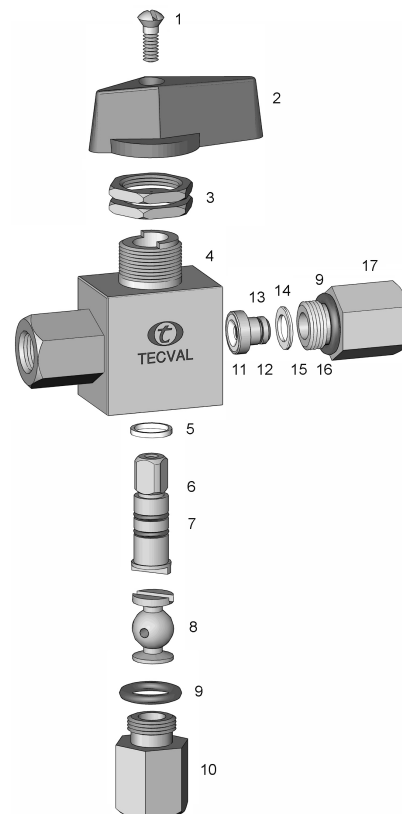
BSP	4002	4008	4017	-
NPT	4005	4011	4020	-
M18x100	-	-	-	4014



* Dimensions in mm

Materials

Nº	Part	AISI-316L A4	Aleaciones especiales
1	Set screw	AISI-316 (1.4401)	AISI-316 (1.4401)
2	Handle	Blue polyamid	Blue polyamid
3	Panel nut	AISI-316L (1.4404)	AISI-316L (1.4404)
4	Body	AISI-316L (1.4404)	Special alloy
5	Stem bearing	Delrin	Delrin
6	Stem	AISI-316L (1.4404)	Special alloy
7	O-ring	FPM	FPM
8	Ball	AISI-316L (1.4404)	Special alloy
9	O-ring	FPM	FPM
10	End connection	AISI-316L (1.4404)	Special alloy
11	Seat	P.T.F.E.	P.T.F.E.
12	Seat carrier	AISI-316L (1.4404)	Special alloy
13	Seat o-ring	FPM	FPM
14	Back seat	P.T.F.E.	P.T.F.E.
15	Washer	AISI-316L (1.4404)	Special alloy
16	Spring	Special alloy	Special alloy
17	End connection	AISI-316L (1.4404)	Special alloy



Special alloys

Among the wide range of alloys existing, TECVAL has selected those considered by our customers as most suitable, which we stock to ensure a quick and effective supply. Whether you do not find the required alloy or need further information about our special alloys valves and fittings, please address your inquiry to our Technical Department.

AISI-316Ti (1.4571) **A6** , AISI-904L (1.4539) **A9** , Duplex (1.4462) **AD** , Superduplex (1.4410/1.4501) **AS** , 254-SMO (1.4547) **AV** , Titanium Gr.2 (3.7034) **TI** , Hastelloy C-276 (2.4819) **HA**

Elastomers & Seats

SELECTOR o-ring seals (7, 9 and 13) can be made of different materials (NITRILE, EPDM, NEOPREN) upon request, considering the working conditions and fluid of the valve.

Ordering information

References are formed by three parts:

Valve Code Look for it in the order codes chart on the previous page.

Option/s If required, add the code/s from the options section on the previous page (in alphabetical order)

Material Look for the code on the materials chart.

An example of valve and one option:

SELECTOR valve 1/4"NPT AISI-316L degreased:

4011 D A4 The reference to place the order is **4011DA4**

Tests

100% tested in accordance to API STANDARD 598, each valve is tested with Nitrogen to check the leakage in the seats and packing. Upon request, the corresponding materials and test certificates can be delivered with the valve.

Packaging

All TECVAL valves are supplied packed in individual polyethylene airtight bags, which include the general features of the valve. End screw connections are protected with polyethylene caps. Everything is 100% recyclable.



TECVAL S.L.
C/Berlín, 1 Nave 4
Pol.Can Torrella
08233-VACARISSES
Barcelona - SPAIN
Tel: +34 938 280 055
tecval@tecval.es