

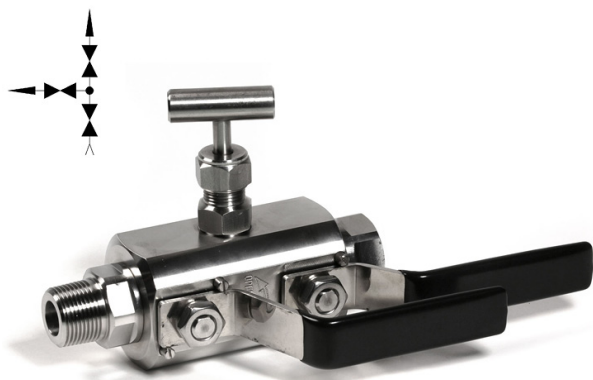


DBB-01

Double Block and Bleed Valve (FxF)

Working Pressures: 100 | 250 bar (1500 | 3600 PSI)

TECVAL DBB-01 series, enables you to reduce drastically space and weight in the process of installations. It reduces the possibility of leaks and the maintenance. Their distribution diagram consist of two ball valves to block the line and one needle valve to bleed in 90° outflow.



Features

- Process interface in one compact ball/needle/ball valve assembly.
- Temperature range -20°C/200°C (-4°F/392°F)
- Standard reinforced PTFE seats up to 100 bar.
- Inlet, outlet and vent ports threaded NPT Female in accordance with ASME B1.20.1.
- 316 SS handles to reduce the risk of corrosion.
- Smooth operating.
- Antiblowout valve stems and needles.
- Anti-leak stem with double o-ring seal.
- No maintenance required.
- 100% Tested.

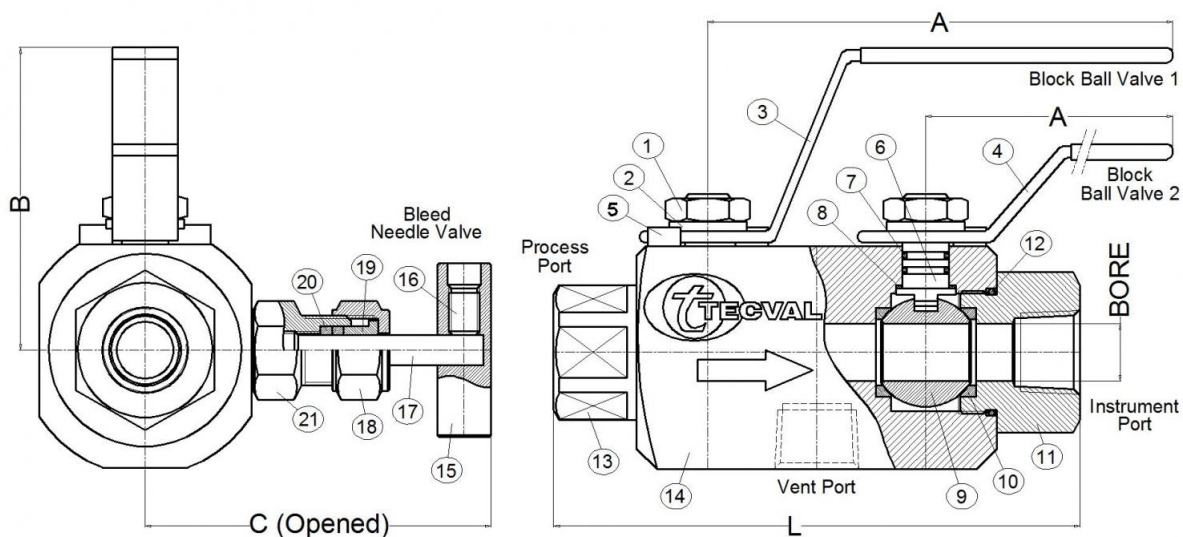
Options

- PEEK seats for high pressures up to 250bar. **I**
- Inlet, outlet and vent ports threaded BSP. **L**
- Male-Female (MxF) end connections. **C**
- Male-Male (MxM) end connections. **I**
- Plug in vent port. **T**
- O-ring seals in several materials.

Technical data

Inlet Port	Outlet Port	Vent Port	Bore	Code	A	B	C	L
1/4"	1/4"	1/4"	8	1120	75	60	81	97
3/8"	3/8"	1/4"	8	1121	75	60	81	98
3/8"	3/8"	1/2"	12	1122	120	80	91	119
1/2"	1/2"	1/4"	8	1124	75	60	81	100
1/2"	1/2"	1/2"	12	1125	120	80	91	121
1/2"	1/2"	1/2"	15	1126	120	80	91	141
3/4"	3/4"	1/4"	8	1128	75	60	81	103

Inlet Port	Outlet Port	Vent Port	Bore	Code	A	B	C	L
3/4"	3/4"	1/2"	12	1129	120	80	91	124
3/4"	3/4"	1/2"	15	1130	120	80	91	144
3/4"	3/4"	1/2"	20	1131	120	85	95	165
1"	1"	1/4"	8	1132	60	80	81	106
1"	1"	1/2"	12	1133	120	80	91	127
1"	1"	1/2"	15	1134	120	80	91	147
1"	1"	1/2"	20	1135	120	85	95	168



Materials

Nº Part	AISI-316L A4	SuperDuplex AS	Special alloys
1 Handle screw	AISI-316L (1.4404)	AISI-316L (1.4404)	AISI-316L (1.4404)
2 Handle washer	AISI-316L (1.4404)	AISI-316L (1.4404)	AISI-316L (1.4404)
3 Inlet Handle	AISI-316L (1.4404)	AISI-316L (1.4404)	AISI-316L (1.4404)
4 Outlet Handle	AISI-316L (1.4404)	AISI-316L (1.4404)	AISI-316L (1.4404)
5 Stop Pin	AISI-304 (1.4301)	AISI-304 (1.4301)	AISI-304 (1.4301)
6 Stem	AISI-630 (1.4542)	Superduplex (1.4410/ 1.4501)	Special alloy
7 Stem o-ring	FPM	FPM	FPM
8 Stem bearing	Delrin	Delrin	Delrin
9 Ball	AISI-630 (1.4542)	Superduplex (1.4410/ 1.4501)	Special alloy
10 Seat	Reinforced PTFE	Reinforced PTFE	Reinforced PTFE
11 Outlet Conector	AISI-316L (1.4404)	Superduplex (1.4410/ 1.4501)	Special alloy
12 Connector O-ring	FPM	FPM	FPM
13 Inlet Connector	AISI-316L (1.4404)	Superduplex (1.4410/ 1.4501)	Special alloy
14 Body	AISI-316L (1.4404)	Superduplex (1.4410/ 1.4501)	Special alloy
15 Bar Handle	AISI-316L (1.4404)	AISI-316L (1.4404)	AISI-316L (1.4404)
16 Set screw	AISI-304 (1.4301)	AISI-304 (1.4301)	AISI-304 (1.4301)
17 Stem	AISI-316L (1.4404)	Superduplex (1.4410/ 1.4501)	Special alloy
18 Nut	AISI-316L (1.4404)	AISI-316L (1.4404)	AISI-316L (1.4404)
19 Gland	AISI-316L (1.4404)	AISI-316L (1.4404)	AISI-316L (1.4404)
20 Packing	P.T.F.E.	P.T.F.E.	P.T.F.E.
21 Bonnet	AISI-316L (1.4404)	Superduplex (1.4410/ 1.4501)	Special alloy

Special alloys

Manufactured in AISI-316Ti (1.4571) **A6**, AISI-904L (1.4539) **A9**, Duplex (1.4462) **AD**, 254-SMO (1.4547) **AV**, Alloy 400 (2.4360) **MO**, Alloy 625 (2.4856) **IN**, Alloy 825 (2.4858) **CO**, Titanium Gr.2 (3.7034) **TI**, Hastelloy C-276 (2.4819) **HA**.

Ordering information

References are formed by three parts:

Valve Code Look for it in the order codes chart on the previous page.

Option/s If required, add the code/s from the options section on the previous page.

Material Look for the code on the materials chart.

Example: Double Block and Bleed Valve DBB-01 1/2"NPT, bore 12mm in Duplex:

1125 AD The reference required to place the order is **1125AD**.

Maintenance

Adjustment of the needle packing may be necessary during the working life of the valve. The operation consists of turning the nut (18) clockwise. Ball Valves with long no-working period may have a harder initial operating torque.

Tests

100% tested in accordance to API STANDARD 598. Each valve is tested to check the leakage in the seats and packing. Upon request, the corresponding materials and test certificates can be delivered with the valve.

Elastomers

O-ring seals (positions 7 and 12) can be made of different materials: Nitrile **B**, EPDM **E** or Neopren **N**, considering the working conditions and fluid of the valve.



TECVAL S.L.
C/Berlin, 1 Nave 4
Pol.Can Torrella
08233-VACARISSES
Barcelona - SPAIN
Tel: +34 938 280 055
tecval@tecval.es