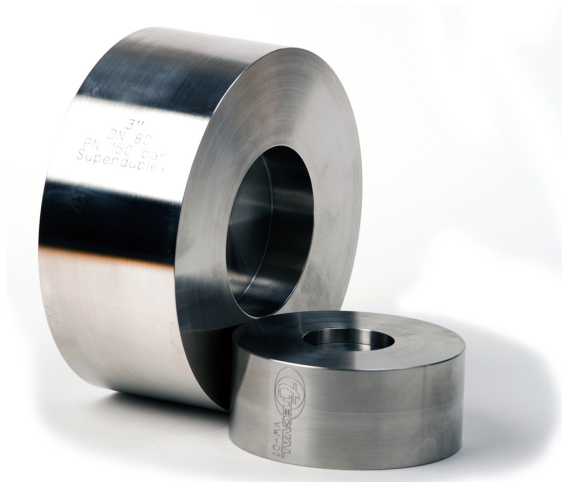


VW-02

Wafer Type Check Valve between flanges ASME B-16.5 Up to 160 bar (2300 PSI)

TECVAL manufactures its new VW-02 Wafer Type Check Valve. Developed by TECVAL, it is an exclusive and totally innovative use of the seal, which is suitable to work under high pressure service. Unique in the market with Superduplex spring. Its compact design guarantees a total hold-up, even with high volatile gases, fluids, steam,...etc.



Features

- Standard Superduplex Spring.
- Face to Face dimensions acc. to EN558-2, line 52.
- Compact design.
- No maintenance required.
- Easy mounting in any position.
- 100% tested.

Options

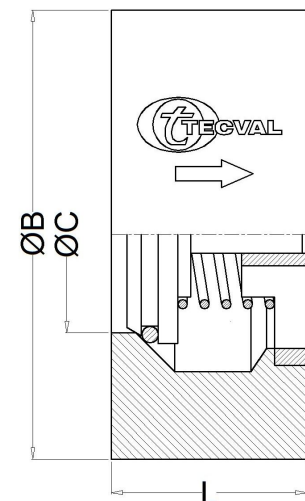
- FPM seats. **VI**
- NEOPREN seats. **N**
- NBR seats. **B**

Technical data

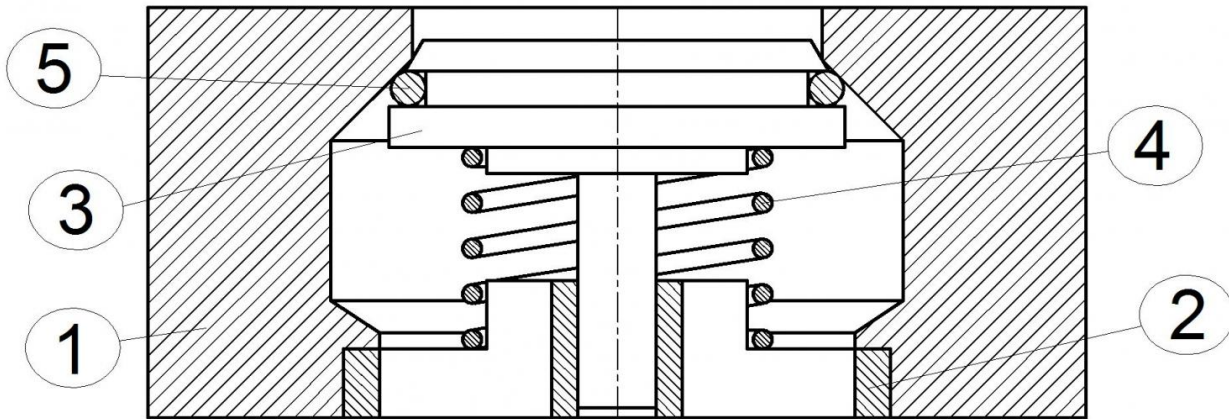
Max. Pressure	Up to 160 bar (2300 PSI)							
Obert. Press	Horizontal flow direction: 20 mbar (0,3 PSI)							
Temperatures	-20°C/200°C (-4°F/392°F)							
Dimensions	1/2"	3/4"	1"	1 1/4"	1 1/2"	2"	2 1/2"	3"
L	25	31.5	35.5	40	45	56	63	71
(CLASS 900) B	60	66.5	76	85	95	140	162	165
(CLASS 300-400-600) B	51	63.5	70	79.5	92	108	127	146
(CLASS 150) B	44.5	54	63.5	73	82.5	101.5	120	133
C	15	20	25	32	40	48.5	63	77

Order codes

CLASS 150	4700	4701	4702	4703	4704	4705	4706	4707
CLASS 300-400-600	4730	4731	4732	4733	4734	4735	4736	4737
CLASS 900	4740	4741	4742	4743	4744	4745	4746	4747



* Dimensions in mm



Materials

Nº Part	AISI-316L A4	SuperDuplex AS
1 Body	AISI-316L (1.4404)	Superduplex (1.4410/ 1.4501)
2 Bonnet	AISI-316L (1.4404)	Superduplex (1.4410/ 1.4501)
3 Stem	AISI-316L (1.4404)	Superduplex (1.4410/ 1.4501)
4 Spring	Superduplex (1.4410/ 1.4501)	Superduplex (1.4410/ 1.4501)
5 Seat	EPDM	EPDM

Special alloys

Among the wide range of alloys existing, TECVAL has selected this considered by our customers as most suitable, which we stock to ensure a quick and effective supply. Whether you do not find the required alloy or need further information about our special alloys valves and fittings, please address your inquiry to our Technical Department.

Ordering information

References are formed by three parts:

Valve Code

Look for it in the order codes chart on the previous page.

Option/s

-If required, add the code/s from the options section on the previous page (in alphabetical order)

Material

-Look for the code on the materials chart.

An example of valve and one option:

Wafer Type Check Valve VW-02 2" CLASS 150 Superduplex: **4705 AS**

The reference required to place the order is **4705AS**

Tests

100% tested in accordance to API STANDARD 598, each valve is tested to check the leakage in the seats. Upon request, the corresponding materials and test certificates can be delivered with the valve.

Packaging

All TECVAL valves are supplied packed in individual polyethylene airtight bags. End screw connections are protected with polyethylene caps. Everything is 100% recyclable.

Elastomers & Seats

Seat (position 5) can be made of different materials: Nitrile **B**, FPM **VI** or Neopren **N**, considering the working conditions. Likewise the seats can be made in other materials upon request.



TECVAL S.L.
C/Berlín, 1 Nave 4
Pol.Can Torrella
08233-VACARISSES
Barcelona - SPAIN
Tel: +34 938 280 055
tecval@tecval.es