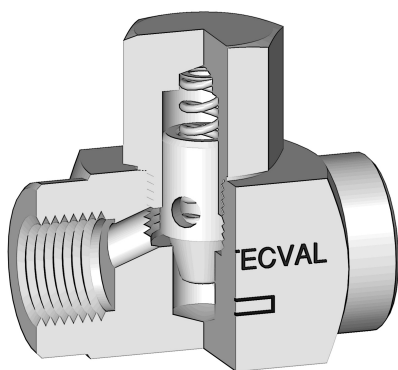




VR-01

Poppet Check Valve (FxF) Up to 210 bar (3000 PSI)

TECVAL VR-01 poppet check valves are designed to work with liquids under both high pressure and temperature service. They open at a fixed low pressure and close immediately the moment the flow reverses. They are commonly used in chemical plants, water treatment plants, refineries, laboratories and power stations, as well as in general industry.



Features

- Metal-to-metal seal by movable poppet (up to 1").
- O-Ring seal (from 1 1/4" to 3").
- Compact design.
- No maintenance required.
- Easy mounting in any position (without spring must be mounted horizontally)
- 100% tested.

Options

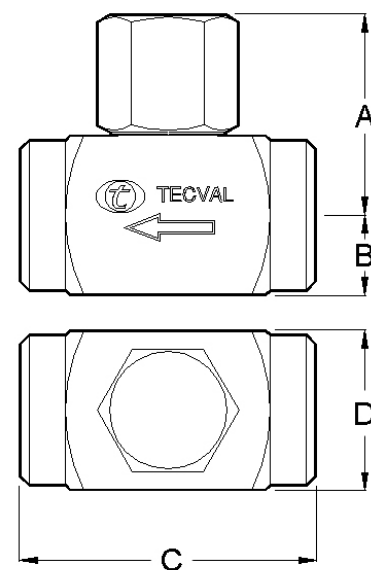
- Assembled without spring. **S**
- Poppet with O-ring seal (up to 1"). **R**

Technical data

Max. Pressure	Up to 210 bar (3000 PSI)									
Obert. Press	1 bar (14.2 PSI)									
Temperatures	-20°C/400°C (-4°F/752°F)									
Dimensions	1/4"	3/8"	1/2"	3/4"	1"	1 1/4"	1 1/2"	2"	2 1/2"	3"
A	33	35	42	45	50	55	72	72	112	112
B	12.5	15	17.5	20	25	33	45	45	69	69
C	50	55	65	75	90	100	115	115	180	180
D	25	30	35	40	50	60	80	80	120	120
Orifice Size	6.5	8	11	14	16	17	22	25	35	42
Maximum Cv	0.8	1.2	2.3	3.1	4.2	4.4	4.9	8.9	14.6	22.9

Order codes

BSP	4200	4203	4206	4209	4212	4227	4215	4218	4221	4224
NPT	4201	4204	4207	4210	4213	4228	4216	4219	4222	4225
SW	4202	4205	4208	4211	4214	4229	4217	4220	4223	4226
BW	4250	4251	4252	4253	4254	4230	4255	4256	4257	4258
VIC Grooved	4280	4281	4282	4283	4284	4289	4285	4286	4287	4288



* Dimensions in mm

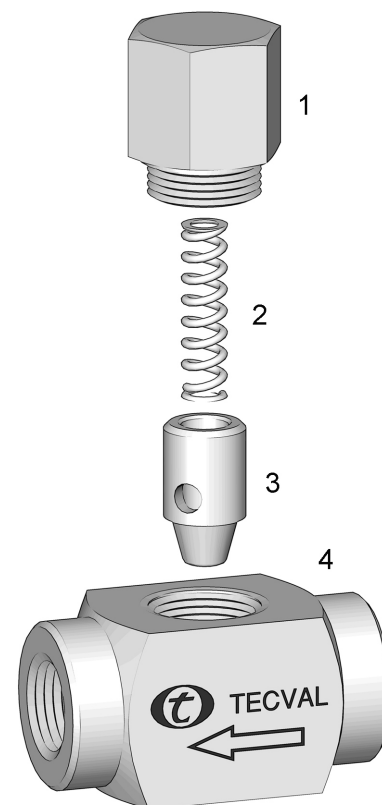
Materials

Nº	Part	AISI-316L A4	Duplex AD	SuperDuplex AS	Special alloys
1	Cap	AISI-316L (1.4404)	Duplex (1.4462)	Superduplex (1.4410/1.4501)	Special alloy
2	Spring	Stainless Steel Coated	Stainless Steel Coated	Stainless Steel Coated	Stainless Steel Coated
3	Poppet	AISI-316L (1.4404)	Duplex (1.4462)	Superduplex (1.4410/1.4501)	Special alloy
4	Body	AISI-316L (1.4404)	Duplex (1.4462)	Superduplex (1.4410/1.4501)	Special alloy
5	Poppet O-ring *	NBR	NBR	NBR	NBR
6	Safety lock nut *	AISI-316L (1.4404)	AISI-316L (1.4404)	AISI-316L (1.4404)	AISI-316L (1.4404)

Special alloys

Among the wide range of alloys existing, TECVAL has selected those considered by our customers as most suitable, which we stock to ensure a quick and effective supply. Whether you do not find the required alloy or need further information about our special alloys valves and fittings, please address your inquiry to our Technical Department.

AISI-316Ti (1.4571) **A6**, AISI-904L (1.4539) **A9**, 254-SMO (1.4547) **AV**, Alloy 400 (2.4360) **MO**, Alloy 625 (2.4856) **IN**, Alloy 825 (2.4858) **CO**, Titanium Gr.2 (3.7034) **TI**, Hastelloy C-276 (2.4819) **HA**.



Elastomers

Poppet O-ring (position 5) can be made of different materials (NBR, EPDM & NEOPREN) upon request, considering the working conditions and fluid of the valve. For further information, please contact our Technical Department.

Poppet O-Ring * / Safety lock nut *

Poppet O-Ring *: In order to provide a perfect seal, our VR-01 valves in standard version are equipped with O-ring in poppet from dimensions 11/4" to 3".

Optionally, the dimensions from 1/4" to 1" can also incorporate this type of closure. **R**

Safety lock nut *: To avoid accidental detachment of the top cap, VR-01 valves incorporate a safety lock nut in dimensions from 11/4" to 3".

Ordering information

References are formed by three parts:

Valve Code

Look for it in the order codes chart on the previous page.

Option/s

-If required, add the code/s from the options section on the previous page (in alphabetical order)

Material

-Look for the code on the materials chart.

An example of valve with one option:

Check valve VR-01 1/2"NPT AISI-316L with O-ring in the closure: **4207**

R A4.

The reference required to place the order is **4207RA4**

Tests

100% tested in accordance to API STANDARD 598, each valve is tested to check the leakage in the seats and packing. Upon request, the corresponding materials and test certificates can be delivered with the valve.

Packaging

All TECVAL valves are supplied packed in individual polyethylene airtight bags. End screw connections are protected with polyethylene caps. Everything is 100% recyclable.



TECVAL S.L.
C/Berlin, 1 Nave 4
Pol.Can Torrella
08233-VACARISSES
Barcelona - SPAIN
Tel: +34 938 280 055
tecval@tecval.es