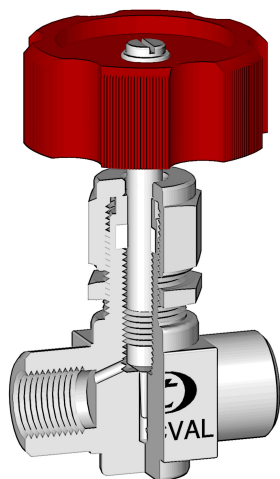




# RG-91

## Precise Micro-flow Regulating Valve (FxF) Working Pressures: 100 | 210 bar (1500 | 3000 PSI)

TECVAL RG-91 regulating and sealing valves are especially suitable to guarantee a fine micro-flow control under high pressure or moderate vacuum service. They are commonly used to regulate flows in analysis equipment, sampling systems in laboratories, gas chromatography, flow meters, etc...



### Features

- Precise, uniform and constant regulation.
- 2 or 4 mm flow orifice size.
- Solid forged body.
- Easy packing external adjustment.
- Compact design.
- PTFE packing.
- 100% tested.

### Options

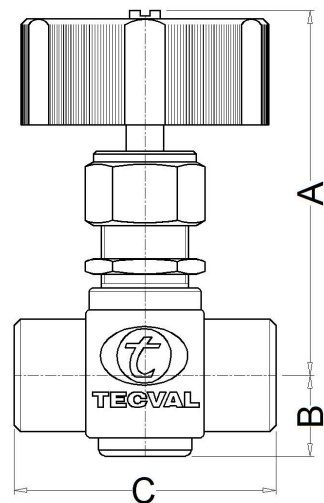
- Panel Nut. **X**
- Degreased for oxygen service. **D**
- Male-Female end connections. **C**
- Handle safety lockout. **W**
- High working pressure 210 bar (3000 PSI) only available in AISI-316L. **I**

### Technical data

Max. Pressure	Standard working pressure: 100 bar (1500 PSI) High working pressure 210 bar (3000 PSI)			
Temperatures	-20°C / 200°C (-4°F / 392°F)			
Dimensions	1/8"	1/8"	1/4"	1/4"
A Open	70	70	70	70
A Closed	53	53	53	53
B	15	15	15	15
C	42	42	42	42
Orifice Size	2	4	2	4
Maximum Cv	0.09	0.31	0.09	0.31

### Order codes

BSP	4800	4803	4812	4815
NPT	4806	4809	4818	4821



\* Dimensions in mm

## Materials

Nº	Part	Brass <b>LA</b>	AISI-316L <b>A4</b>	Special alloys
1	Set screw	AISI-304 (1.4301)	AISI-304 (1.4301)	AISI-304 (1.4301)
2	Washer	AISI-304 (1.4301)	AISI-304 (1.4301)	AISI-304 (1.4301)
3	Hand wheel	Red polyamid	Red polyamid	Red polyamid
4	Nut	Brass (2.0401)	AISI-316L (1.4404)	AISI-316L (1.4404)
5	Panel nut	Brass (2.0401)	AISI-316L (1.4404)	AISI-316L (1.4404)
6	Gland	Brass (2.0401)	AISI-316L (1.4404)	AISI-316L (1.4404)
7	Packing	P.T.F.E.	P.T.F.E.	P.T.F.E.
8	Stem	AISI-316L (1.4404)	AISI-316L (1.4404)	Special alloy
9	Body	Brass (2.0402)	AISI-316L (1.4404)	Special alloy

### Special alloys

Among the wide range of alloys existing, TECVAL has selected those considered by our customers as most suitable, which we stock to ensure a quick and effective supply. Whether you do not find the required alloy or need further information about our exotic alloys valves and fittings, please address your inquiry to our Technical Department:

AISI-316Ti (1.4571) **A6**, AISI-904L (1.4539) **A9**, Duplex (1.4462) **AD**, SuperDuplex (1.4410/1.4501) **AS**, 254-SMO (1.4547) **AV**, Alloy 400 (2.4360) **MO**, Alloy 625 (2.4856) **IN**, Alloy 825 (2.4858) **CO**, Titanium Gr.2 (1.7864) **TI**, Hastelloy C-276 (2.4819) **HA**

### Ordering information

References are formed by three parts:

#### Valve Code

Look for it in the order codes chart on the previous page.

#### Option/s

-If required, add the code/s from the options section on the previous page (in alphabetical order)

#### Material

-Look for the code on the materials chart.

An example of valve with one option:

Needle valve RG-91 1/4"NPT Brass orifice size 2 mm. with panel nut:  
**4818 X LA** The reference required to place the order is **4818XLA**.

### Tests

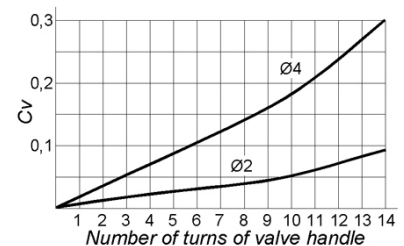
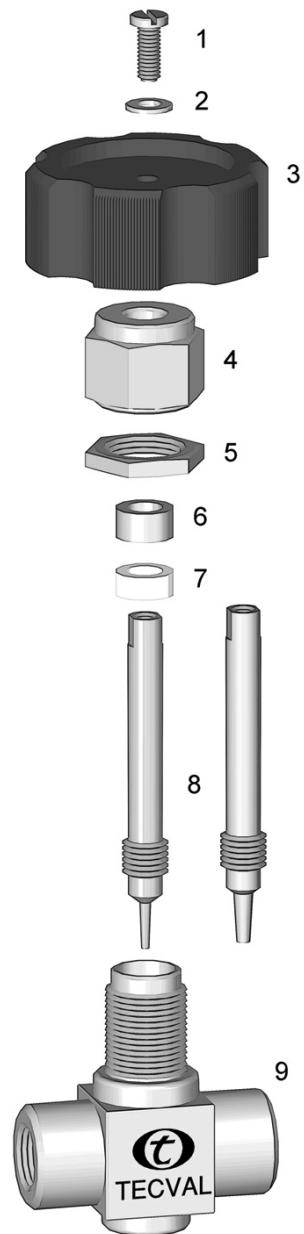
100% tested in accordance to API STANDARD 598. Each valve is tested to check the leakage in the seats and packing. Upon request, the corresponding materials and test certificates can be delivered with the valve.

### Packaging

All TECVAL valves are supplied packed in individual polyethylene airtight bags, which include the general features of the valve. End screw connections are protected with polyethylene caps. Everything is 100% recyclable.

### Maintenance

Adjustment of the packing may be necessary during the working life of the valve. The operation consists of turning the nut (4) clockwise. Valves with long no-working period may have a harder initial operating torque.



TECVAL S.L.  
C/Berlín, 1 Nave 4  
Pol.Can Torrella  
08233-VACARISSES  
Barcelona - SPAIN  
Tel: +34 938 280 055  
tecval@tecval.es