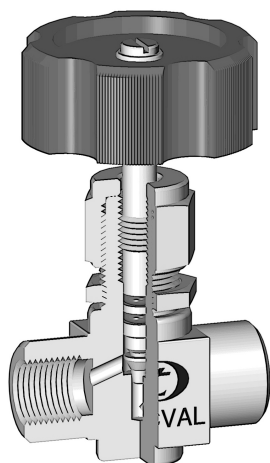




RG-90

Needle Valve for Gases (FxF) Working Pressure 210 bar (3000 PSI)

TECVAL RG-90 valves are designed to secure a perfect closing and a total sealing with no maintenance. Their exclusive sealing system makes them suitable to work under high pressure with all kind of gases offering a total leak proof guarantee.



Features

- Solid forged body.
- Stem thread isolated from fluid.
- Sealing through double O-ring seal.
- No packing re-adjustment required.
- FPM O-rings.
- 100% tested.

Options

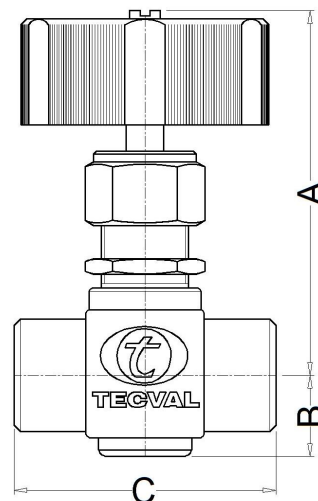
- Degreased for oxygen service. **D**
- NITRILE (NBR) o-ring seals for carbon dioxide, methanol,... **B**
- EPDM o-ring seals for acetylene,... **E**
- NEOPREN o-ring seals for ammonia,... **N**
- Male-Female end connections. **C**
- Male-Male end connections. **I**

Technical data

Max. Pressure	Working Pressure 210 bar (3000 PSI)				
Temperatures	-20°C/200°C (-4°F/392°F)				
Dimensions	1/8"	1/4"	M18x100	3/8"	1/2"
A Open	58	58	58	85	85
A Closed	53	53	53	78	78
B	15	15	15	19	19
C	42	42	39	60	60
Orifice Size	3	3	3	6	8
Maximum Cv	0.2	0.2	0.2	0.7	1.3

Order codes

BSP	1000	1006	-	1015	1047
NPT	1003	1009	-	1018	1050
M18x100	-	-	1012	-	-



* Dimensions in mm

Materials

Nº	Part	Brass LA	AISI-316L A4
1	Set screw	AISI-304 (1.4301)	AISI-304 (1.4301)
2	Washer	AISI-304 (1.4301)	AISI-304 (1.4301)
3	Hand wheel	Black polyamid	Black polyamid
4	Nut	Brass (2.0401)	AISI-316L (1.4404)
5	Panel nut	Brass (2.0401)	AISI-316L (1.4404)
6	O-ring seals	FPM	FPM
7	Stem	AISI-316L (1.4404)	AISI-316L (1.4404)
8	Movable stem tip	AISI-316L (1.4404)	AISI-316L (1.4404)
9	Body	Brass (2.0402)	AISI-316L (1.4404)

Elastomers & Seats

O-ring seals (position 6) can be made of different materials (NITRILE, EPDM, NEOPREN, FPM,...etc.) upon request, considering the working conditions and fluid of the valve. For further information, please contact our Technical Department.

Ordering information

References are formed by three parts:

Valve Code

Look for it in the order codes chart on the previous page.

Option/s

-If required, add the code/s from the options section on the previous page (in alphabetical order)

Material

-Look for the code on the materials chart.

An example of valve with one option:

Needle valve RG-90 1/4"NPT Brass degreased for oxygen service:

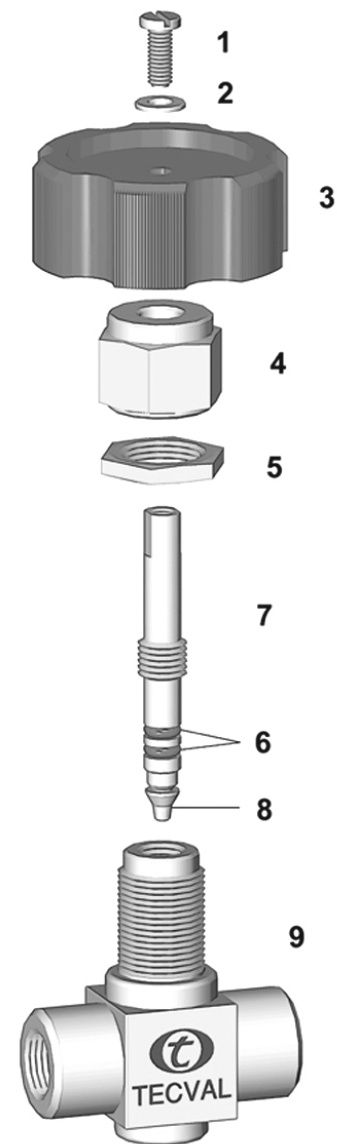
1009 D LA The reference required to place the order is: **1009DLA**

Tests

100% tested in accordance to API STANDARD 598. Each valve is tested with Nitrogen to check the leakage in the seats and packing. Upon request, the corresponding materials and test certificates can be delivered with the valve.

Packaging

All TECVAL valves are supplied packed in individual polyethylene airtight bags, which include the general features of the valve. End screw connections are protected with polyethylene caps. Everything is 100% recyclable.



TECVAL S.L.
C/Berlín, 1 Nave 4
Pol.Can Torrella
08233-VACARISSES
Barcelona - SPAIN
Tel: +34 938 280 055
tecval@tecval.es