



# MB-1.2

## 1-Way 2-Valve Manifold

**Working Pressures: 100 | 420 bar (1500 | 6000 PSI)**

TECVAL MB-1.2 manifolds are designed to work with fluid under high pressure and/or high temperature service. Their distribution diagram consists of two valves commanding the main line, where inlet and outlet are at 180°, and a discharge or testing line outlet at 90° outflow.



### Features

- Metal-to-metal shut-off.
- Easy packing external adjustment.
- PTFE packing.
- Two mounting holes.
- 100% tested.

### Options

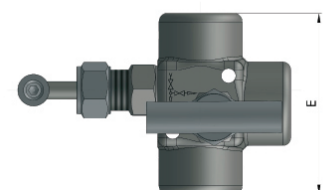
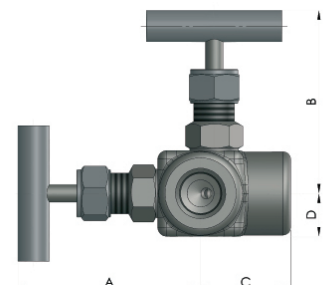
- Movable stem tip. **F**
- Grafoil packing for high temperatures. **G**
- High working pressure 420 bar (6000 PSI). **I**
- Male-Female-Female (MxFxF) end connections. **C**
- Female-Female-Male (FxFxM) end connections. **H**

### Technical data

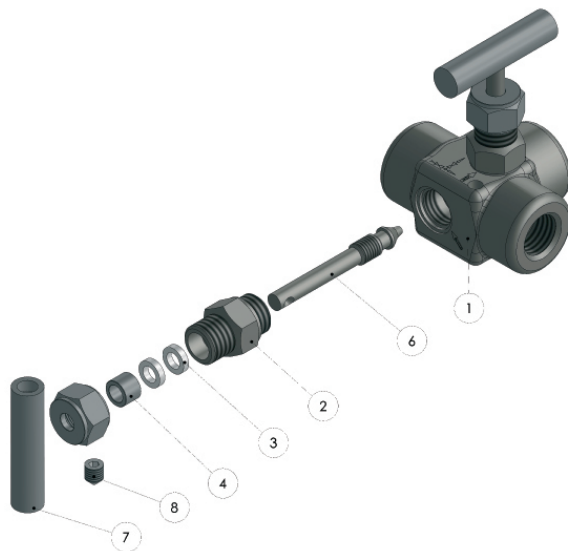
Max. Pressure	Standard pressure: 100 bar (1500 PSI) High pressure: 420 bar (6000 PSI)	
Temperatures	-20°C/400°C (-4°F/752°F)	
Dimensions	1/2"	
	A Open	87
	A Closed	81
	B Open	87
	B Closed	81
	C	40
	D	19
	E	80
Orifice Size	4	

### Order codes

	NPT	3050
	BSP	3051
	SW	3052



\* Dimensions in mm



## Materials

Nº	Part	AISI-316L <b>A4</b>	Duplex <b>AD</b>	SuperDuplex <b>AS</b>	Special Alloys
1	Body	AISI-316L (1.4404)	Duplex (1.4462)	Superduplex (1.4410/1.4501)	Special alloy
2	Bonnet	AISI-316L (1.4404)	Duplex (1.4462)	Superduplex (1.4410/1.4501)	Special alloy
3	Packing	P.T.F.E.	P.T.F.E.	P.T.F.E.	P.T.F.E.
4	Gland	AISI-316L (1.4404)	AISI-316L (1.4404)	AISI-316L (1.4404)	AISI-316L (1.4404)
5	Nut	AISI-316L (1.4404)	AISI-316L (1.4404)	AISI-316L (1.4404)	AISI-316L (1.4404)
6	Stem	AISI-316L (1.4404)	Duplex (1.4462)	Superduplex (1.4410/1.4501)	Special alloy
7	Bar handle	AISI-316L (1.4404)	AISI-316L (1.4404)	AISI-316L (1.4404)	AISI-316L (1.4404)
8	Set screw	AISI-316 (1.4401)	AISI-316 (1.4401)	AISI-316 (1.4401)	AISI-316 (1.4401)

## Special alloys

Among the wide range of alloys existing, TECVAL has selected those considered by our customers as most suitable, which we stock to ensure a quick and effective supply. Whether you do not find the required alloy or need further information about our exotic alloys valves and fittings, please address your inquiry to our Technical Department.

AISI-316Ti (1.4571) **A6**

AISI-904L (1.4539) **A9**

254-SMO (1.4547) **AV**

Alloy 400 (2.4360) **MO**

Alloy 625 (2.4856) **IN**

Alloy 825 (2.4858) **CO**

Titanium Gr.2 (3.7034) **TI**

Hastelloy C-276 (2.4819) **HA**

## Ordering information

References are formed by three parts:

**Valve Code** -Look for it in the order codes chart on the previous page.

**Option/s** -If required, add the code/s from the options section on the previous page (in alphabetical order).

**Material** -Look for the code on the materials chart.

An example of manifold with one option:

Manifold MB-1.2 1/2"NPT SuperDuplex with grafoil packing:

**3050 G AS** . The reference to place the order is **3050GAS**.

## Tests

100% tested according to API STANDARD 598. Each manifold is tested to check the leakage in the seats and packings. Under request, the corresponding materials and test certificates can be delivered with the manifold.

## Packaging

All TECVAL manifold are supplied packed in individual polyethylene airtight bags. End screw connections are protected with polyethylene caps. Everything is 100% recyclable.

## Maintenance

Adjustment of the packings may be necessary during the working life of the manifold. The operation consists of turning the nuts (3) clockwise.

Manifolds with long no-working period may have a harder initial operating torque.



TECVAL S.L.  
C/Berlín, 1 Nave 4  
Pol.Can Torrella  
08233-VACARISSES  
Barcelona - SPAIN  
Tel: +34 938 280 055  
tecval@tecval.es