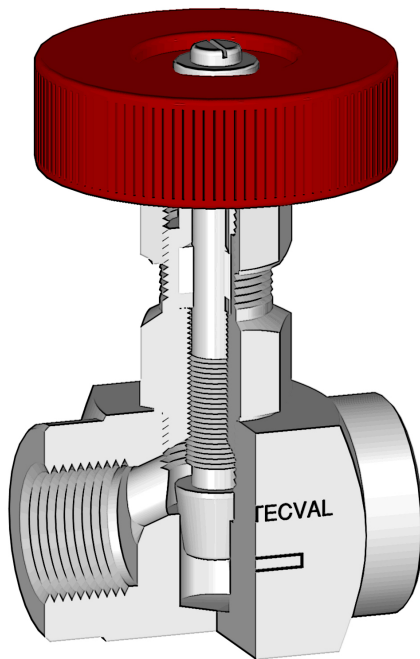




CR-100

Precise Flow Regulating Valve (FxF) Working Pressure 100 bar (1500 PSI)

TECVAL CR-100 regulating and sealing valves are especially suitable to guarantee a precise flow control under high pressure or moderate vacuum service. They are commonly used in control panels, fluid treatment, flow meters, meter check, laboratory applications, etc...



Features

- Precise, uniform and constant regulation.
- Easy packing external adjustment.
- Compact design.
- Maximum flow capacity.
- PTFE packing.
- 100% tested.

Options

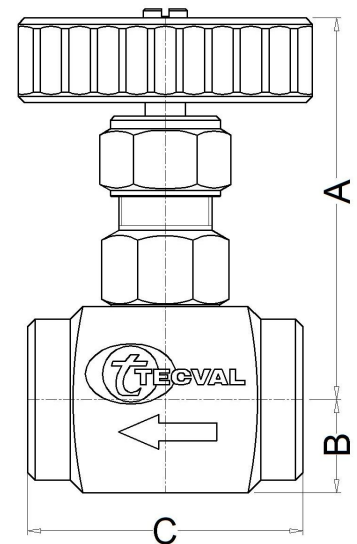
- Degreased for oxygen service. **D**
- Handle safety lockout. **W**

Technical data

Max. Pressure	Working Pressure 100 bar (1500 PSI)							
Temperatures	-20°C / 200°C (-4°F / 392°F)							
Dimensions	1/4"	3/8"	1/2"	3/4"	1"	1 1/4"	1 1/2"	2"
A Open	75	90	90	88	105	120	120	150
A Closed	68	80	80	74	90	100	100	125
B	15	20	20	28	30	35	35	40
C	50	65	65	70	80	90	90	95
Orifice Size	8	10	12	15	18	22	25	28
Maximum Cv	1	1.3	2.9	3.5	4.8	6.3	7.8	11.3

Order codes

BSP	5000	5018	5001	5002	5003	5016	5004	5005
NPT	5010	5019	5011	5012	5013	5017	5014	5015



* Dimensions in mm

Materials

Nº Part	Brass LA	AISI-316L A4	SuperDuplex AS
1 Set screw	AISI-316 (1.4401)	AISI-316 (1.4401)	AISI-316 (1.4401)
2 Washer	AISI-316 (1.4401)	AISI-316 (1.4401)	AISI-316 (1.4401)
3 Hand wheel	Red painted aluminium	Red painted aluminium	Red painted aluminium
4 Nut	Brass (2.0401)	AISI-316L (1.4404)	AISI-316L (1.4404)
5 Gland	Brass (2.0401)	AISI-316L (1.4404)	AISI-316L (1.4404)
6 Packing	P.T.F.E.	P.T.F.E.	P.T.F.E.
7 Washer	Brass (2.0401)	AISI-316L (1.4404)	Superduplex (1.4410/1.4501)
8 Bonnet	Brass (2.0401)	AISI-316L (1.4404)	Superduplex (1.4410/1.4501)
9 Stem	AISI-316L (1.4404)	AISI-316L (1.4404)	Superduplex (1.4410/1.4501)
10 Body	Brass (2.0401)	AISI-316L (1.4404)	Superduplex (1.4410/1.4501)

Special alloys

Among the wide range of alloys existing, TECVAL has selected those considered by our customers as most suitable, which we stock to ensure a quick and effective supply. Whether you do not find the required alloy or need further information about our exotic alloys valves and fittings, please address your inquiry to our Technical Department.

Ordering information

References are formed by three parts:

Valve Code

Look for it in the order codes chart on the previous page.

Option/s

-If required, add the code/s from the options section on the previous page (in alphabetical order)

Material

-Look for the code on the materials chart.

An example of valve with one option:

Needle valve CR-100 1/2" BSP Brass degreased for oxygen service:

5001 D LA The reference required to place the order is **5001DLA**.

Tests

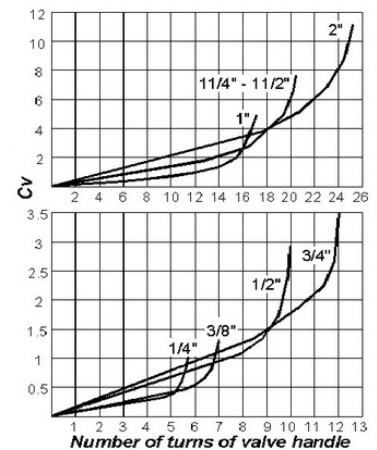
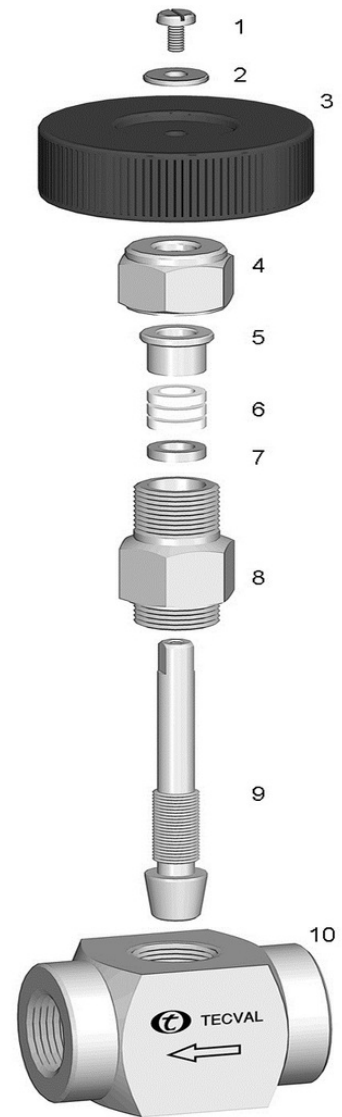
100% tested in accordance to API STANDARD 598. Each valve is tested to check the leakage in the seats and packing. Upon request, the corresponding materials and test certificates can be delivered with the valve.

Packaging

All TECVAL valves are supplied packed in individual polyethylene airtight bags, which include the general features of the valve. End screw connections are protected with polyethylene caps. Everything is 100% recyclable.

Maintenance

Adjustment of the packing may be necessary during the working life of the valve. The operation consists of turning the nut (4) clockwise. Valves with long no-working period may have a harder initial operating torque.



TECVAL S.L.
C/Berlín, 1 Nave 4
Pol.Can Torrella
08233-VACARISSES
Barcelona - SPAIN
Tel: +34 938 280 055
tecval@tecval.es