

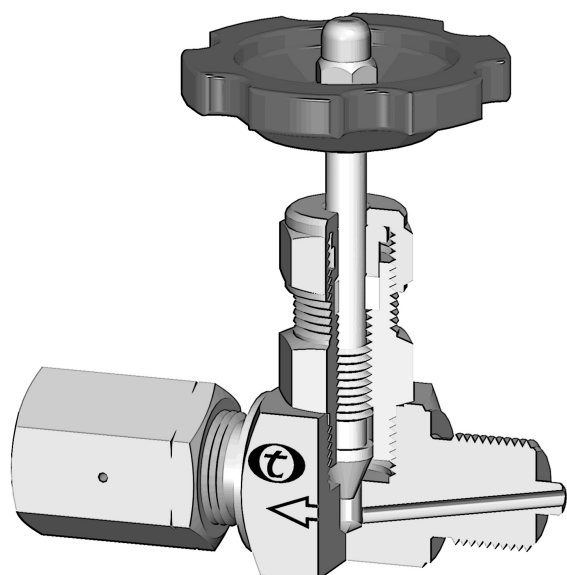


CP-13

Needle Valve with Alignment Sleeve (MxF)

Working Pressures: 100 | 420 bar (1500 | 6000 PSI)

TECVAL CP-13 valves are manufactured following the DIN 16270 AR standard. An alignment coupling incorporated in the design allows to position the instrument. Other features of the valve include a bleed screw, and the back-seat which allows the free packing change in service.



Features

- Metal-to-metal shut-off.
- Easy packing external adjustment.
- Free packing change in service.
- PTFE packing.
- 100% tested.

Options

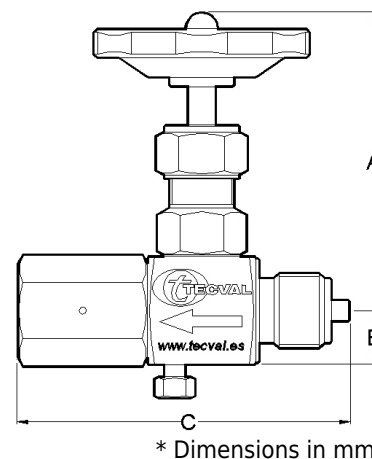
- Bleed screw in outlet. **P**
- Grafoil packing for high temperatures. **G**
- High working pressure 420 bar (6000 PSI) **I**
- AISI-316 T-Bar handle. **M**

Technical data

Max. Pressure	Standard pressure: 100 bar (1500 PSI) High pressure: 420 bar (6000 PSI)	
Temperatures	-20°C/400°C (-4°F/752°F)	
Dimensions	1/2"	
	A Open	92
	A Closed	82
	B	15
	C	91
Orifice Size	2.5	
Maximum Cv	0.1	

Order codes

BSP	2404
-----	------



Materials

Nº	Part	Brass LA	Carbon Steel AC	AISI-316L A4	Special alloys
1	Set screw	AISI-304 (1.4301)	AISI-304 (1.4301)	AISI-304 (DIN1.4301)	AISI-304 (1.4301)
2	Handle washer	AISI-304 (1.4301)	AISI-304 (1.4301)	AISI-304 (DIN1.4301)	AISI-304 (1.4301)
3	Handle wheel	Black painted aluminium	Black painted aluminium	Black painted aluminium	Black painted aluminium
4	Nut	Brass (1.7660)	F-112 (1.1158)	AISI-316 (DIN1.4401)	AISI-316L (1.4404)
5	Gland	Brass (1.7660)	F-112 (1.1158)	AISI-316 (DIN1.4401)	AISI-316L (1.4404)
6	Packing	P.T.F.E.	P.T.F.E.	P.T.F.E. or Grafoil	P.T.F.E.
7	Bonnet	Brass (1.7660)	F-112 (1.1158)	AISI-316 (DIN1.4401)	AISI-316L (1.4404)
8	Stem	AISI-316L (1.4404)	AISI-316L (1.4404)	AISI-316 (DIN1.4401)	AISI-316L (1.4404)
9	Body	Brass (1.7660)	F-112 (1.1158)	AISI-316 (DIN1.4401)	AISI-316L (1.4404)
10	Alignment sleeve	Brass (1.7660)	F-112 (1.1158)	AISI-316 (DIN1.4401)	AISI-316L (1.4404)
11	Bleed screw	AISI-316L (1.4404)	AISI-316L (1.4404)	AISI-316 (DIN1.4401)	AISI-316L (1.4404)

Special alloys

Among the wide range of alloys existing, TECVAL has selected those considered by our customers as most suitable, which we stock to ensure a quick and effective supply. Whether you do not find the required alloy or need further information about our exotic alloys valves and fittings, please address your inquiry to our Technical Department.

AISI-316Ti (1.4571) **A6**

AISI-904L (1.4539) **A9**

Duplex (1.4462) **AD**

SuperDuplex (1.4410/1.4501) **AS**

254-SMO (1.4547) **AV**

Titanium Gr.2 (3.7034) **TI**

Hastelloy C-276 (2.4819) **HA**

Ordering information

References are formed by three parts:

Valve Code

Look for it in the order codes chart on the previous page.

Option/s

-If required, add the code/s from the options section on the previous page (in alphabetical order)

Material

-Look for the code on the materials chart.

An example of valve and two options:

Needle valve CP-13 1/2"BSP Carbon Steel with grafoil packing:

2404 G AC The reference to place the order is **2404GAC**

Tests

100% tested in accordance to API STANDARD 598, each valve is tested to check the leakage in the seats and packing. Upon request, the corresponding materials and test certificates can be delivered with the valve.

Packaging

All TECVAL valves are supplied packed in individual polyethylene airtight bags, which include the general features of the valve. End screw connections are protected with polyethylene caps. Everything is 100% recyclable.

Maintenance

Adjustment of the packing may be necessary during the working life of the valve. The operation consists of turning the nut (4) clockwise. Valves with long no-working period may have a harder initial operating torque.



TECVAL S.L.
C/Berlin, 1 Nave 4
Pol.Can Torrella
08233-VACARISSES
Barcelona - SPAIN
Tel: +34 938 280 055
tecval@tecval.es