

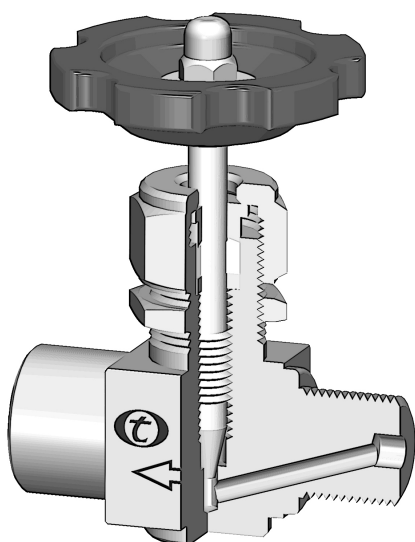


# CP-09

## Integral Bonnet Needle Valve (MxF)

**Working Pressures: 100 | 420 bar (1500 | 6000 PSI)**

TECVAL CP-09 valves are designed to work with all kind of fluids. With a compact design, the body incorporates the bonnet allowing the valves to withstand both high pressure and temperature. Under request, it can be supplied with a positioner nut to position the instrument properly.



### Features

- Male-Female connections.
- Metal-to-metal shut-off.
- Easy packing external adjustment.
- Compact design.
- PTFE packing.
- 100% tested.

### Options

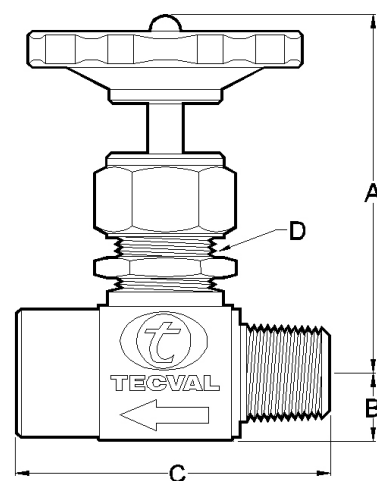
- Positioner nut. **L**
- Bleed screw in outlet. **P**
- AISI-316 T-Bar handle. **M**
- Panel Nut. **X**
- Grafoil packing for high temperatures. **G**

### Technical data

Max. Pressure	Standard working pressure: 100 bar (1500 PSI) High working pressure: 420 bar (6000 PSI)	
Temperatures	-20°C/400°C (-4°F/752°F)	
Dimensions	1/4"	1/2"
A Open	85	88
A Closed	77	75
B	11	16
C	52	70
D	18	22
Orifice Size	2.5	2.5
Maximum Cv	0.1	0.1

### Order codes

BSP	2000	2004
NPT	2001	2005



\* Dimensions in mm

## Materials

Nº	Part	Brass <b>LA</b>	Carbon Steel <b>AC</b>	AISI-316L <b>A4</b>	Special alloys
1	Set screw	AISI-304 (1.4301)	AISI-304 (1.4301)	AISI-304 (1.4301)	AISI-304 (1.4301)
2	Handle washer	AISI-304 (1.4301)	AISI-304 (1.4301)	AISI-304 (1.4301)	AISI-304 (1.4301)
3	Handle wheel	Black painted aluminium	Black painted aluminium	Black painted aluminium	Black painted aluminium
4	Nut	Brass (1.7660)	F-112 (1.1158)	AISI-316L (1.4404)	AISI-316L (1.4404)
5	Gland	Brass (1.7660)	F-112 (1.1158)	AISI-316L (1.4404)	AISI-316L (1.4404)
6	Packing	P.T.F.E.	P.T.F.E.	P.T.F.E.	P.T.F.E.
7	Washer	Brass (1.7660)	F-112 (1.1158)	AISI-316L (1.4404)	Special alloy
8	Panel nut	Brass (1.7660)	F-112 (1.1158)	AISI-316L (1.4404)	AISI-316 (DIN1.4401)
9	Stem	AISI-316L (1.4404)	AISI-316L (1.4404)	AISI-316L (1.4404)	Special alloy
10	Body	Brass (1.7660)	F-112 (1.1158)	AISI-316L (1.4404)	Special alloy

### Special alloys

Among the wide range of alloys existing, TECVAL has selected those considered by our customers as most suitable, which we stock to ensure a quick and effective supply. Whether you do not find the required alloy or need further information about our exotic alloys valves and fittings, please address your inquiry to our Technical Department.

AISI-316Ti (1.4571) **A6**

AISI-904L (1.4539) **A9**

Duplex (1.4462) **AD**

SuperDuplex (1.4410/1.4501) **AS**

254-SMO (1.4547) **AV**

Titanium Gr.2 (3.7034) **TI**

Hastelloy C-276 (2.4819) **HA**

### Ordering information

References are formed by three parts:

#### Valve Code

Look for it in the order codes chart on the previous page.

#### Option/s

-If required, add the code/s from the options section on the previous page (in alphabetical order)

#### Material

-Look for the code on the materials chart.

An example of valve and two options:

Needle valve CP-09 1/2"BSP brass with positioner nut and bleed screw:

**2004 LP LA** The reference to place the order is **2004LPLA**

## Tests

100% tested in accordance to API STANDARD 598, each valve is tested to check the leakage in the seats and packing. Upon request, the corresponding materials and test certificates can be delivered with the valve.

### Packaging

All TECVAL valves are supplied packed in individual polyethylene airtight bags, which include the general features of the valve. End screw connections are protected with polyethylene caps. Everything is 100% recyclable.

### Maintenance

Adjustment of the packing may be necessary during the working life of the valve. The operation consists of turning the nut (4) clockwise.

Valves with long no-working period may have a harder initial operating torque.



TECVAL S.L.  
C/Berlin, 1 Nave 4  
Pol.Can Torrella  
08233-VACARISSES  
Barcelona - SPAIN  
Tel: +34 938 280 055  
tecval@tecval.es