

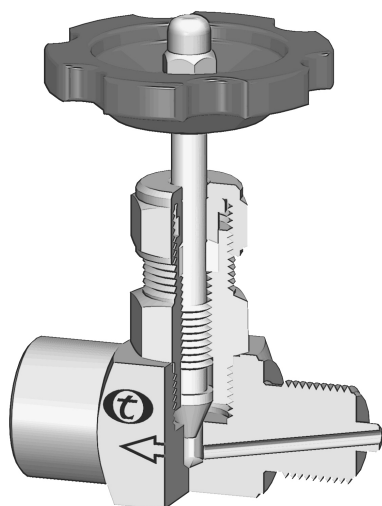


CP-04

Back-Seat Needle Valve (MxF)

Working Pressures: 100 | 420 bar (1500 | 6000 PSI)

TECVAL CP-04 needle valves are designed to work with liquids under both high pressure and temperature service. Their back-seat allows the free packing change while the valves are in service. They are used to insulate and avoid damaging instruments on the installation, since they do not cause water hammer, thanks to their design.



Features

- Male-Female connections.
- Metal-to-metal shut-off.
- Easy packing external adjustment.
- Free packing change in service.
- PTFE packing.
- 100% tested.

Options

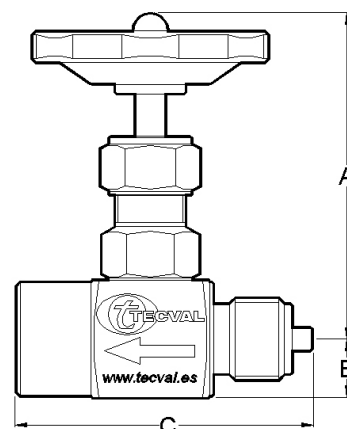
- Bleed screw in outlet. **P**
- Grafoil packing for high temperatures. **G**
- AISI-316 T-Bar handle. **M**
- High working pressure 420 bar (6000 PSI). **I**
- Female - Female connections (FxF). **H**

Technical data

Max. Pressure	Standard pressure: 100 bar (1500 PSI) High pressure: 420 bar (6000 PSI)	
Temperatures	-20°C/400°C (-4°F/752°F)	
Dimensions	1/4"	1/2"
A Open	89	92
A Closed	82	82
B	12.5	15
C (GAS-BSP)	63	75
C (NPT)	63	70
Orifice Size	2.5	2.5
Maximum Cv	0.1	0.1

Order codes

BSP	1600	1604
NPT	1601	1605



* Dimensions in mm

Materials

Nº	Part	Brass LA	Carbon Steel AC	AISI-316L A4	Special alloys
1	Set screw	AISI-304 (1.4301)	AISI-304 (1.4301)	AISI-304 (1.4301)	AISI-304 (1.4301)
2	Handle washer	AISI-304 (1.4301)	AISI-304 (1.4301)	AISI-304 (1.4301)	AISI-304 (1.4301)
3	Handle wheel	Black painted aluminium	Black painted aluminium	Black painted aluminium	Black painted aluminium
4	Nut	Brass (1.7660)	F-112 (1.1158)	AISI-316L (1.4404)	AISI-316L (1.4404)
5	Gland	Brass (1.7660)	F-112 (1.1158)	AISI-316L (1.4404)	AISI-316L (1.4404)
6	Packing	P.T.F.E.	P.T.F.E.	P.T.F.E.	P.T.F.E.
7	Bonnet	Brass (1.7660)	F-112 (1.1158)	AISI-316L (1.4404)	Special alloy
8	Stem	AISI-316L (1.4404)	AISI-316L (1.4404)	AISI-316L (1.4404)	Special alloy
9	Body	Brass (1.7660)	F-112 (1.1158)	AISI-316L (1.4404)	Special alloy

Special alloys

Among the wide range of alloys existing, TECVAL has selected those considered by our customers as most suitable, which we stock to ensure a quick and effective supply. Whether you do not find the required alloy or need further information about our exotic alloys valves and fittings, please address your inquiry to our Technical Department.

AISI-316Ti (1.4571) **A6**

AISI-904L (1.4539) **A9**

Duplex (1.4462) **AD**

SuperDuplex (1.4410/1.4501) **AS**

254-SMO (1.4547) **AV**

Titanium Gr.2 (3.7034) **TI**

Hastelloy C-276 (2.4819) **HA**

Ordering information

References are formed by three parts:

Valve Code

Look for it in the order codes chart on the previous page.

Option/s

-If required, add the code/s from the options section on the previous page (in alphabetical order)

Material

-Look for the code on the materials chart.

An example of valve and two options:

Needle valve CP-04 1/2"BSP AISI-316 with grafoil packing and T-bar handle:

1604 GM A4 The reference to place the order is: **1604GMA4**

Tests

100% tested in accordance to API STANDARD 598, each valve is tested to check the leakage in the seats and packing. Upon request, the corresponding materials and test certificates can be delivered with the valve.

Packaging

All TECVAL valves are supplied packed in individual polyethylene airtight bags. End screw connections are protected with polyethylene caps. Everything is 100% recyclable.

Maintenance

Adjustment of the packing may be necessary during the working life of the valve. The operation consists of turning the nut (4) clockwise.

Valves with long no-working period may have a harder initial operating torque.



TECVAL S.L.
C/Berlin, 1 Nave 4
Pol.Can Torrella
08233-VACARISSES
Barcelona - SPAIN
Tel: +34 938 280 055
tecval@tecval.es