

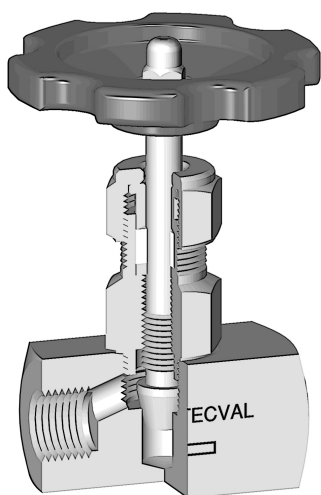


CP-01

Back-Seat Needle Valve (FxF)

Working Pressures: 100 | 210 bar (1500 | 3000 PSI)

TECVAL CP-01 needle valves are designed to work with liquids under both high pressure and temperature service. The back-seat allows a free packing change while the valves are in service. They are for use in chemical plants, water treatment plants, refineries, laboratories and gas companies, as well as in the general industry.



Features

- Metal-to-metal shut-off.
- Movable stem tip.
- Free packing change in service.
- PTFE packing.
- 100% tested.

Options

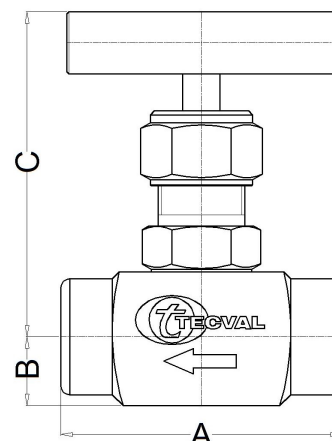
- V stem. **R**
- Soft movable stem tip in Kel-F. **K**
- Grafoil packing for high temperature. **G**
- Stellite seats. **S**
- Bleed screw in outlet. **P**
- Automation through multi-turn actuator. **A**
- Aluminium handle wheel. **V**
- Handle safety lockout. **W**
- High working pressure 210 bar (3000 PSI) **I**

Technical data

Max. Pressure	Standard working pressure: 100 bar (1500 PSI) High working pressure: 210 bar (3000 PSI)									
Temperatures	-20°C/400°C (-4°F/752°F)									
Dimensions	1/4"	3/8"	1/2"	3/4"	1"	1¼"	1½"	2"	2½"	3"
C Open	89	92	94	100	109	169	173	179	225	230
C Closed	83	83	88	91	95	150	150	150	190	195
B	12.5	15	17.5	20	25	30	35	40	57	57
A	50	55	65	75	90	100	110	115	150	150
Orifice Size	6.5	8	10	14	16	19	22	25	28	35
Maximum Cv	0.8	1.4	2.2	3.1	4.2	4.5	4.9	8.9	10.9	14.6

Order codes

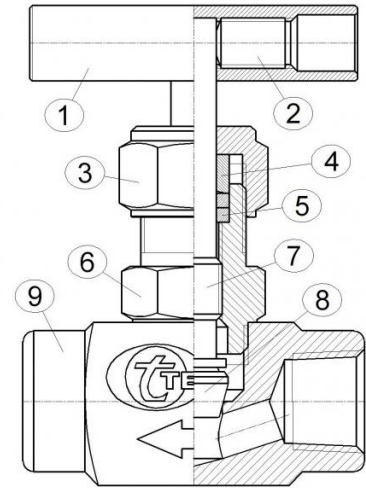
BSP	0010	0013	0016	0019	0022	0060	0025	0028	0031	0034
NPT	0011	0014	0017	0020	0023	0061	0026	0029	0032	0035
SW	0012	0015	0018	0021	0024	0062	0027	0030	0033	0036
BW	0050	0051	0052	0053	0054	0063	0055	0056	0057	0058
VIC Grooved	0070	0073	0076	0079	0082	0095	0085	0088	0091	0094



* Dimensions in mm

Materials

Nº	Part	AISI-316L A4	Duplex AD	SuperDuplex AS	Special Alloys
1	Bar handle	AISI-316L (1.4404)	AISI-316L (1.4404)	AISI-316L (1.4404)	AISI-316L (1.4404)
2	Handle screw	AISI-304 (1.4301)	AISI-304 (1.4301)	AISI-304 (1.4301)	AISI-304 (1.4301)
3	Nut	AISI-316L (1.4404)	AISI-316L (1.4404)	AISI-316L (1.4404)	AISI-316L (1.4404)
4	Gland	AISI-316L (1.4404)	AISI-316L (1.4404)	AISI-316L (1.4404)	AISI-316L (1.4404)
5	Packing	P.T.F.E.	P.T.F.E.	P.T.F.E.	P.T.F.E.
6	Bonnet	AISI-316L (1.4404)	Duplex (1.4462)	Superduplex (1.4410/1.4501)	Special alloy
7	Stem	AISI-316L (1.4404)	Duplex (1.4462)	Superduplex (1.4410/1.4501)	Special alloy
8	Movable stem tip	AISI-316L (1.4404)	Duplex (1.4462)	Superduplex (1.4410/1.4501)	Special alloy
9	Body	AISI-316L (1.4404)	Duplex (1.4462)	Superduplex (1.4410/1.4501)	Special alloy



Special alloys

Among the wide range of alloys existing, TECVAL has selected those considered by our customers as most suitable, which we stock to ensure a quick and effective supply. Whether you do not find the required alloy or need further information about our exotic alloys valves and fittings, please address your inquiry to our Technical Department.

AISI-316Ti (1.4571) **A6**

AISI-904L (1.4539) **A9**

254-SMO (1.4547) **AV**

Alloy 400 (2.4360) **MO**

Alloy 625 (2.4856) **IN**

Alloy 825 (2.4858) **CO**

Titanium Gr.2 (3.7034) **TI**

Hastelloy C-276 (2.4819) **HA**

Ordering information

References are formed by three parts:

Valve Code -Look for it in the order codes chart on the previous page.

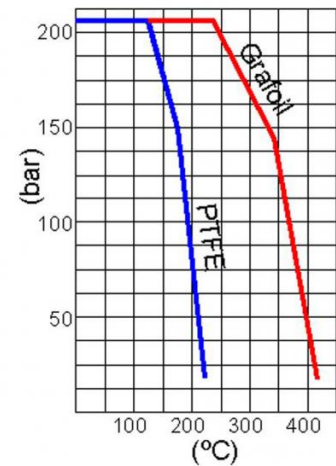
Option/s -If required, add the code/s from the options section on the previous page (in alphabetical order).

Material -Look for the code on the materials chart.

An example of valve with two options:

The valve CP-01 1/2"BSP Duplex with grafoil packing and bleed screw in outlet:

0016 GP AD The reference required to place the order is: **0016GPAD**



Tests

100% tested in accordance to API STANDARD 598, each valve is tested to check the leakage in the seats and packing. Upon request, the corresponding materials and test certificates can be delivered with the valve.

Packaging

All TECVAL valves are supplied packed in individual polyethylene, airtight bags. End screw connections are protected with polyethylene caps. Everything is 100% recyclable.

Maintenance

Adjustment of the packing may be necessary during the working life of the valve. The operation consists of turning the nut (3) clockwise. Valves with long no-working period may have a harder initial operating torque.



TECVAL S.L.
C/Berlín, 1 Nave 4
Pol.Can Torrella
08233-VACARISSES
Barcelona - SPAIN
Tel: +34 938 280 055
tecval@tecval.es