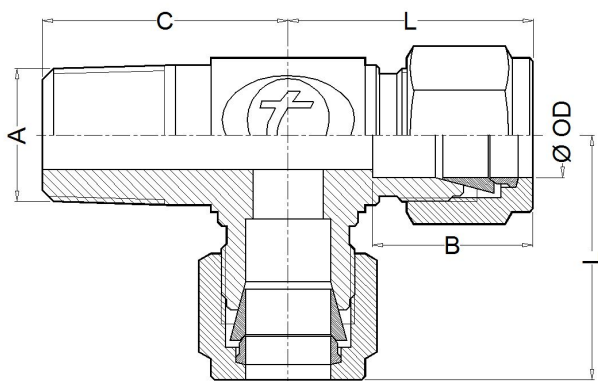




CML

Threaded Male Tee (NPT & BSP) or Buttweld (BW) BRANCH DESIGN

The CML two-ferrule compressing fittings are used to assemble a threaded or welding end to a metric or fractional tubes. BRANCH DESIGN. The resulting union is completely hermetic, both for high pressure and high temperatures.



Features

- Easy and fast mounting.
- Resistant to vibration.
- Hard fastening and union without twisting.
- Anti-leakage guarantee.
- Metric tube from 4mm to 25mm.
- Fractional tube from 1/8" to 1".
- Threaded NPT ends according to ANSI B1.20.1.
- Threaded BSP ends according to DIN ISO 228-1.
- Buttweld BW ends according to ANSI B16.25.

Technical data

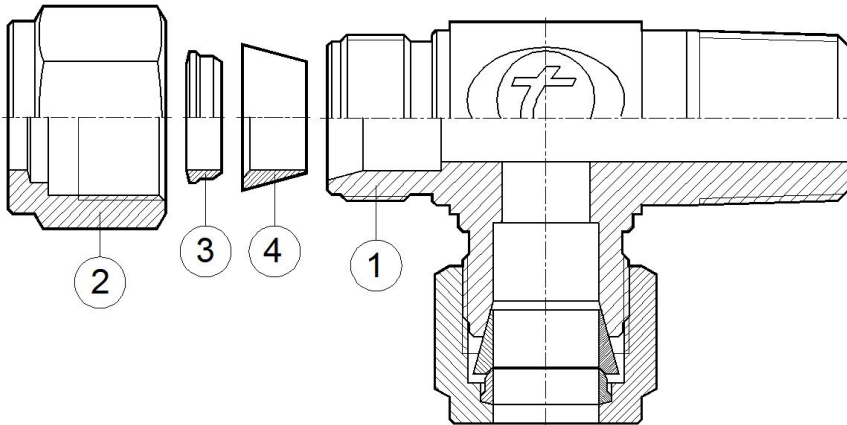
Ø OD	A	Code NPT	Code BSP	Code BW	B (mm)	C (mm)	L (mm)
1/8"	1/8"	84000	84100	84200	13	19	25
1/8"	1/4"	84001	84101	84201	13	23	25
4	1/8"	84002	84102	84202	14	19	25
4	1/4"	84003	84103	84203	14	23	25
3/16"	1/8"	84004	84104	84204	14	19	25
3/16"	1/4"	84005	84105	84205	14	23	25
6	1/8"	84006	84106	84206	16	19	27
6	1/4"	84007	84107	84207	16	24	27
6	3/8"	84008	84108	84208	16	27	30
1/4"	1/8"	84009	84109	84209	16	19	27
1/4"	1/4"	84010	84110	84210	16	24	27
1/4"	3/8"	84011	84111	84211	16	27	30
8	1/8"	84012	84112	84212	17	20	29
8	1/4"	84013	84113	84213	17	25	29
8	3/8"	84014	84114	84214	17	27	30
3/8"	1/8"	84015	84115	84215	17	20	31
3/8"	1/4"	84016	84116	84216	17	25	31
3/8"	3/8"	84017	84117	84217	17	27	31
3/8"	1/2"	84018	84118	84218	17	32	31
10	1/8"	84019	84119	84219	17	21	31
10	1/4"	84020	84120	84220	17	26	31

Ø OD	A	Code NPT	Code BSP	Code BW	B (mm)	C (mm)	L (mm)
10	3/8"	84021	84121	84221	17	27	31
10	1/2"	84022	84122	84222	17	32	32
12	1/4"	84023	84123	84223	23	28	36
12	3/8"	84024	84124	84224	23	29	36
12	1/2"	84025	84125	84225	23	33	36
1/2"	1/4"	84026	84126	84226	23	28	36
1/2"	3/8"	84027	84127	84227	23	29	36
1/2"	1/2"	84028	84128	84228	23	33	36
5/8"	1/4"	84029	84129	84229	24	33	40
5/8"	3/8"	84030	84130	84230	24	33	40
5/8"	1/2"	84031	84131	84231	24	37	40
16	1/4"	84032	84132	84232	24	33	40
16	3/8"	84033	84133	84233	24	33	40
16	1/2"	84034	84134	84234	24	37	40
18	3/8"	84035	84135	84235	24	33	40
18	1/2"	84036	84136	84236	24	37	40
18	3/4"	84037	84137	84237	24	38	40
3/4"	3/8"	84038	84138	84238	24	33	40
3/4"	1/2"	84039	84139	84239	24	37	40
3/4"	3/4"	84040	84140	84240	24	38	40
3/4"	1"	84041	84141	84241	24	47	44

Technical data

Ø OD	A	Code NPT	Code BSP	Code BW	B (mm)	C (mm)	L (mm)
20	3/8"	84042	84142	84242	26	33	40
20	1/2"	84043	84143	84243	26	37	40
20	3/4"	84044	84144	84244	26	38	40
20	1"	84045	84145	84245	26	47	44
22	1/2"	84046	84146	84246	26	37	40
22	3/4"	84047	84147	84247	26	38	40

Ø OD	A	Code NPT	Code BSP	Code BW	B (mm)	C (mm)	L (mm)
7/8"	1/2"	84048	84148	84248	26	37	40
7/8"	3/4"	84049	84149	84249	26	38	40
25	3/4"	84050	84150	84250	31	42	49
25	1"	84051	84151	84251	31	47	49
1"	3/4"	84052	84152	84252	31	42	49
1"	1"	84053	84153	84253	31	47	49



Packaging

All TECVAL fittings are supplied packed in individual polyethylene airtight bags. Everything is 100% recyclable.

Assembly process

Insert the tube to the bottom of the end connector, and tight the nut manually. Then, fasten the body of the connector with a spanner, and with another spanner tight the nut 1 turn and 1/4 (1). For tube of 1/8 and 4mm just tight 3/4 turn (2). The result is a hard fastening, no leakage union without twisting and safe from the connector to the tube.

Materials

Nº Part	AISI-316L A4	Duplex AD	SuperDuplex AS	Special alloys
1 Body	AISI-316L (1.4404)	Duplex (1.4462)	Superduplex (1.4410/1.4501)	Special alloy
2 Nut	AISI-316L (1.4404)	Duplex (1.4462)	Superduplex (1.4410/1.4501)	Special alloy
3 Back ferrule	AISI-316L (1.4404)	Duplex (1.4462)	Superduplex (1.4410/1.4501)	Special alloy
4 Front ferrule	AISI-316L (1.4404)	Duplex (1.4462)	Superduplex (1.4410/1.4501)	Special alloy

Special alloys

Among the wide range of alloys existing, TECVAL has selected those considered by our customers as most suitable, which we stock to ensure a quick and effective supply: AISI-316Ti (1.4571) **A6**, AISI-904L (1.4539) **A9**, Alloy 400 (2.4360) **MO**, Alloy 625 (2.4856) **IN**, Alloy 825 (2.4858) **CO**, 254-SMO (1.4547) **AV**, Titanium Gr.2 (3.7034) **TI**, Hastelloy C-276 (2.4819) **HA**. Whether you do not find the required alloy or need further information about our special alloys valves and fittings, please address your inquiry to our Technical Department.

Ordering information

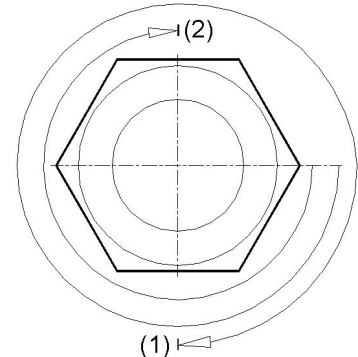
The fittings references are formed in two parts:

Fitting Code Look for it in the technical data.

Material Code Look for it in the materials list.

Example: Threaded Male Tee BRANCH DESING CML 1/2"OD x 1/2"NPT SuperDuplex will be: **84028 AS**.

The reference required to place the order is **84028AS**.



TECVAL S.L.
C/Berlin, 1 Nave 4
Pol.Can Torrella
08233-VACARISSES
Barcelona - SPAIN
Tel: +34 938 280 055
tecval@tecval.es