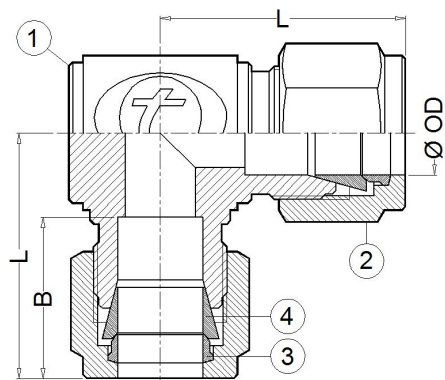


CIC

Elbow Tube Connector

The CMC two-ferrule compressing fittings are used to assemble on 90° two metric or fractional tube. The resulting union is completely hermetic, both for high pressure and high temperatures.



Features

- Easy and fast mounting.
- Resistant to vibration.
- Hard fastening and union without twisting.
- Anti-leakage guarantee.
- Metric tube from 6mm to 12mm.
- Fractional tube from 1/4" to 3/4".

Technical data

Ø OD	Code	L (mm)	B (mm)
6	83203	27	16
1/4"	83204	27	16
8	83206	29	17
3/8"	83207	31	17

Ø OD	Code	L (mm)	B (mm)
10	83208	31	17
12	83209	36	23
1/2"	83210	36	23
3/4"	83214	40	24

Materials

SuperDuplex (1.4410 / 1.4501) **A5**

AISI-904L (1.4539) **A9**

Assembly parts: ①Body, ②Nut, ③Back ferrule, ④Front ferrule.

Ordering information

The fittings references are formed in two parts:

Fitting Code Look for it in the technical data.

Material Code Look for it in the materials list.

Example: Elbow tube connector CIC 1/2"OD AISI-316L will be: **83210**

A4.

The reference required to place the order is **83210A4**.

Packaging

All TECVAL fittings are supplied packed in individual polyethylene airtight bags. Everything is 100% recyclable.