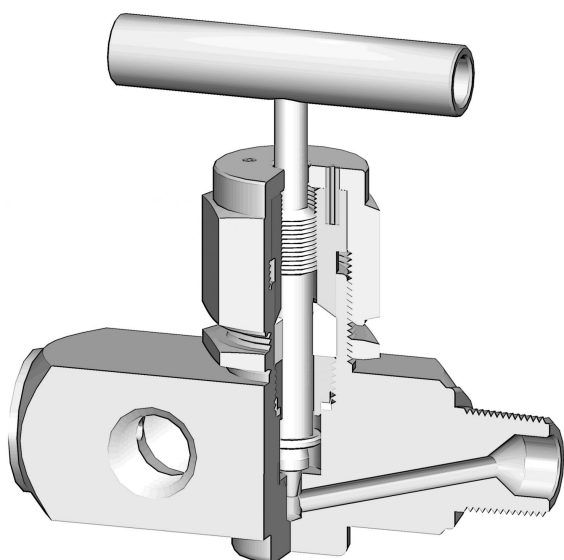


# CF-02

## MULTIPORT Needle Valve (Mx3F)

**Working Pressures: 100 | 420 bar (1500 | 6000 PSI)**

TECVAL Multiport needle valves are designed to work with liquids under both high pressure and temperature service. Their three female outlets system allows the device to be connected with other check or security elements simultaneously. Their back-seat allows the free packing change while the valves are in service.



### Features

- Solid forged body.
- Stem thread isolated from fluid.
- Single male inflow and three female outflows.
- PTFE packing.
- Easy packing external adjustment.
- 100% tested.

### Options

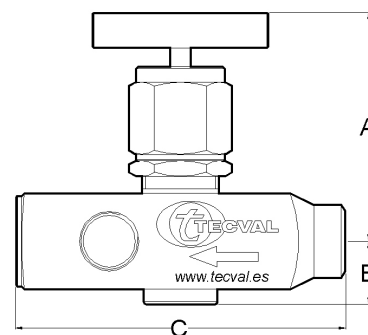
- Grafoil packing for high temperatures. **G**
- High working pressure 420 bar (6000 PSI). **I**
- 1/2"NPT plug in outlet. **T**

### Technical data

Max. Pressure	Standard working pressure: 100 bar (1500 PSI) High working pressure 420 bar (6000 PSI)	
Temperatures	-20°C/400°C (-4°F/752°F)	
Dimensions	entrada_1/2"	entrada_3/4"
A Open	115	115
A Closed	105	105
B	24.5	24.5
C	120	120
Orifice Size	5	5
Maximum Cv	0.6	0.6

### Order codes

NPT	2601	2605
BW	2603	2607
Plain	2608	2609



\* Dimensions in mm

## Materials

Nº	Part	Carbon Steel A-105 AC	AISI-304L A2	AISI-316L A4	Special alloys
1	Set screw	AISI-304 (1.4301)	AISI-304 (1.4301)	AISI-304 (1.4301)	AISI-304 (1.4301)
2	Bar handle	F-112 (1.1158)	AISI-316L (1.4404)	AISI-316L (1.4404)	AISI-316L (1.4404)
3	Pin	AISI-304 (1.4301)	AISI-304 (1.4301)	AISI-304 (1.4301)	AISI-304 (1.4301)
4	Nut	F-112 (1.1158)	AISI-304 (1.4301)	AISI-316L (1.4404)	AISI-316L (1.4404)
5	Bonnet	F-112 (1.1158)	AISI-304L (1.4306)	AISI-316L (1.4404)	Special alloy
6	Packing	P.T.F.E.	P.T.F.E.	P.T.F.E.	P.T.F.E.
7	Back seat	F-112 (1.1158)	AISI-304L (1.4306)	AISI-316L (1.4404)	Special alloy
8	Stem	AISI-316L (1.4404)	AISI-316L (1.4404)	AISI-316L (1.4404)	Special alloy
9	Movable stem tip	AISI-316L (1.4404)	AISI-316L (1.4404)	AISI-316L (1.4404)	Special alloy
10	Panel nut	F-112 (1.1158)	AISI-304 (1.4301)	AISI-316L (1.4404)	AISI-316L (1.4404)
11	Body	A-105 (1.0432)	AISI-304L (1.4306)	AISI-316L (1.4404)	Special alloy

### Special alloys

Among the wide range of alloys existing, TECVAL has selected those considered by our customers as most suitable, which we stock to ensure a quick and effective supply. Whether you do not find the required alloy or need further information about our exotic alloys valves and fittings, please address your inquiry to our Technical Department.

AISI-316Ti (1.4571) **A6**

AISI-904L (1.4539) **A9**

Duplex (1.4462) **AD**

SuperDuplex (1.4410/1.4501) **AS**

254-SMO (1.4547) **AV**

Titanium Gr.2 (3.7034) **TI**

Hastelloy C-276 (2.4819) **HA**

### Ordering information

References are formed by three parts:

Valve Code	Option/s	Material
Look for it in the order codes chart on the previous page.	-If required, add the code/s from the options section on the previous page (in alphabetical order)	-Look for the code on the materials chart.

An example of valve and two options:

Multiport valve CF-02 1/2"NPT AISI-304L with grafoil packing and outlet plug:

**2601 GT A2** The reference to place the order is **2601GTA2**

## Tests

100% tested in accordance to API STANDARD 598, each valve is tested to check the leakage in the seats and packing. Upon request, the corresponding materials and test certificates can be delivered with the valve.

### Packaging

All TECVAL valves are supplied packed in individual polyethylene airtight bags, which include the general features of the valve. End screw connections are protected with polyethylene caps. Everything is 100% recyclable.

### Maintenance

Adjustment of the packing may be necessary during the working life of the valve. The operation consists of loosening the panel nut (10), turning the nut (4) clockwise, and then tighten the panel nut (10) again. Valves with long no-working period may have a harder initial operating torque.



TECVAL S.L.  
C/Berlin, 1 Nave 4  
Pol.Can Torrella  
08233-VACARISSES  
Barcelona - SPAIN  
Tel: +34 938 280 055  
tecval@tecval.es