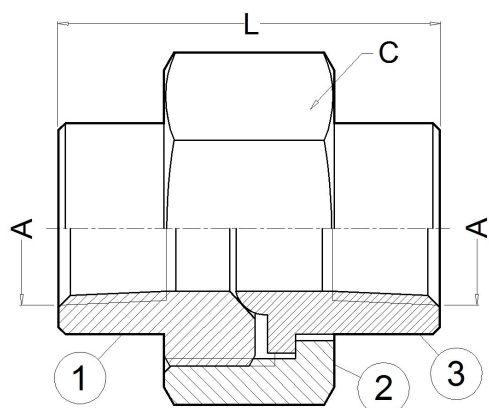


ATU

Union Ball Joint

Union Ball Joint is used to connect two threaded pipes. Its design allows an easy mounting resulting in a union without twisting and completely hermetic.



Features

- Wide range of sizes and connections.
- Suitable for pipes of different materials.
- Anti-leakage guarantee.
- Threaded NPT ends according to ANSI B1.20.1.
- Threaded BSP ends according to DIN ISO 228-1.
- Max. working pressure according to ASME B31.1.

Technical data

A	C (mm)	L (mm)	Max. Pres (bar)	Code NPT	Code BSP
1/8"FxF	24	28	307	92600	92650
1/8"FxM	24	37	307	92601	92651
1/8"MxM	24	46	307	92602	92652
1/4"FxF	30	38	282	92603	92653
1/4"FxM	30	52	282	92604	92654
1/4"MxM	30	66	282	92605	92655
3/8"FxF	35	47	263	92606	92656
3/8"FxM	35	61	263	92607	92657
3/8"MxM	35	75	263	92608	92658

A	C (mm)	L (mm)	Max. Pres (bar)	Code NPT	Code BSP
1/2"FxF	41	47	259	92609	92659
1/2"FxM	41	65	259	92610	92660
1/2"MxM	41	83	259	92611	92661
3/4"FxF	46	52	199	92612	92662
3/4"FxM	46	71	199	92613	92663
3/4"MxM	46	90	199	92614	92664
1"FxF	55	57	140	92615	92665
1"FxM	55	80	140	92616	92666
1"MxM	55	103	140	92617	92667

Materials

AISI-316L (1.4404) **A4**, AISI-316Ti (1.4571) **A6**, AISI-904L (1.4539) **A9**, Duplex (1.4462) **AD**, SuperDuplex (1.4410 / 1.4501) **AS**, 254-SMO (1.4547) **AV**, Alloy 400 (2.4360) **MO**, Alloy 625 (2.4856) **IN**, Alloy 825 (2.4858) **CO**, Titanium Gr.2 (3.7034) **TI**, Hastelloy C-276 (2.4819) **HA**. Other alloys under request.

Assembly parts: ①Inlet connection, ②Nut, ③Outlet connection.

Ordering information

The fittings references are formed in two parts:

Fitting Code Look for the code in the technical data.

Material Code Look for it in the materials chart.

Example: Union Ball Joint ATU 1/4"NPT FxF Titanium Gr2 will be:

92603 TI.

The reference required to place the order is **92603TI**.

Packaging

All TECVAL fittings are supplied packed in individual polyethylene airtight bags. Everything is 100% recyclable.