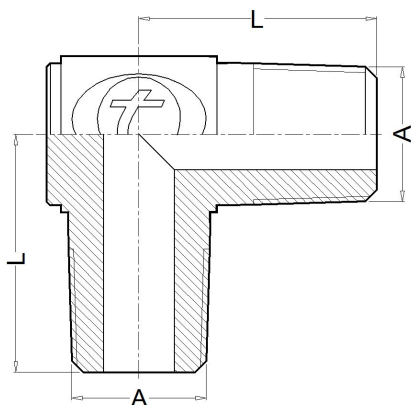




# AMC

## Male Threaded Elbow

Male Threaded Elbow are used to assemble on 90° two pipes or components with female threaded.



### Features

- Wide range of sizes and connections.
- Suitable for pipes of different materials.
- Anti-leakage guarantee.
- Threaded NPT ends according to ANSI B1.20.1.
- Threaded BSP ends according to DIN ISO 228-1.
- Max. working pressure according to ASME B31.1.

### Technical data

A	Code NPT	Code BSP	L (mm)	Max. Pres. (bar)
1/8"	91400	91450	18.5	517
1/4"	91401	91451	25	517
3/8"	91402	91452	27	448

A	Code NPT	Code BSP	L (mm)	Max. Pres. (bar)
1/2"	91403	91453	29	448
3/4"	91404	91454	37.5	448
1"	91405	91455	47	414

### Materials

Among the wide range of alloys existing, TECVAL has selected those considered by our customers as most suitable, which we stock to ensure a quick and effective supply: AISI-316L (1.4404) **A4**, AISI-316Ti (1.4571) **A6**, AISI-904L (1.4539) **A9**, Duplex (1.4462) **AD**, SuperDuplex (1.4410 / 1.4501) **AS**, 254-SMO (1.4547) **AV**, Alloy 400 (2.4360) **MO**, Alloy 625 (2.4856) **IN**, Alloy 825 (2.4858) **CO**, Titanium Gr.2 (3.7034) **TI**, Hastelloy C-276 (2.4819) **HA**. Whether you do not find the required alloy or need further information about our special alloys valves and fittings, please address your inquiry to our Technical Department.

### Ordering information

The fittings references are formed in two parts:

**Fitting Code** Look for it in the technical data.

**Material Code** Look for it in the materials list.

Example: Male Elbow AMC 1/2"NPT AISI-316L will be: **91403 A4**.

The reference required to place the order is **91403A4**.

### Packaging

All TECVAL fittings are supplied packed in individual polyethylene airtight bags. Everything is 100% recyclable.



TECVAL S.L.  
C/Berlin, 1 Nave 4  
Pol.Can Torrella  
08233-VACARISSES  
Barcelona - SPAIN  
Tel: +34 938 280 055  
tecval@tecval.es